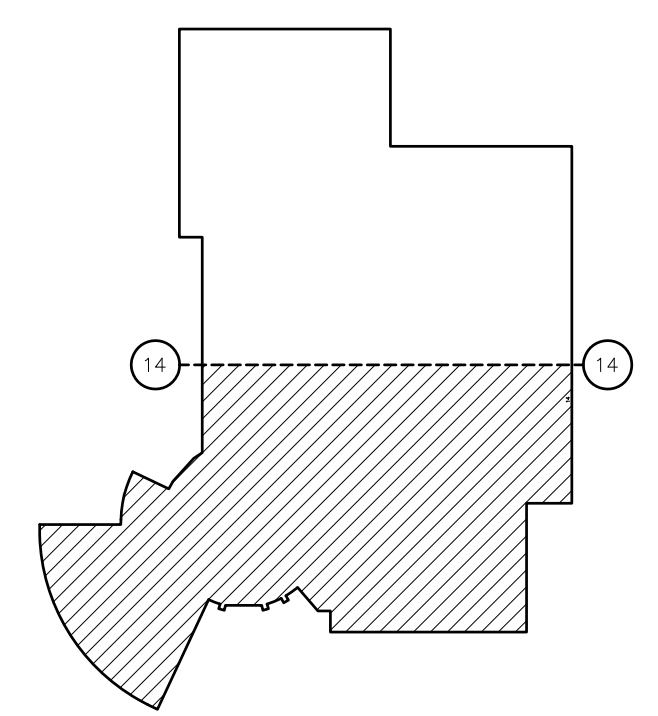


PARTIAL MAIN FLOOR FIRE SPRINKLER LAYOUT
 SCALE: 1/8" = 1'-0"

TOTAL SPRINKLERS: 339		SPRINKLER SCHEDULE							
SYMBOL	QUANTITY	MANUFACTURER	MODEL	TYPE	FINISH	THREAD	K-FAC	TEMP	ESCUTCHEON
⊙	31			Q.R. PENDENT	WHITE	1/2"		ORDINARY	CONCEALED
⊙	178			Q.R. PENDENT	WHITE	1/2"		ORDINARY	SEMI-REC
⊙	31			Q.R. PENDENT	WHITE	1/2"		ORDINARY	40T
⊙	9			Q.R. UPRIGHT		1/2"		ORDINARY	NONE
⊙	66			H.S.W		1/2"		ORDINARY	SEMI-REC
⊙	2			DRY H.S.W	CHROME	1/2"		ORDINARY	STANDARD
⊙	22	HIGH CLG IN TECH CENTER		Q.R. PENDENT	WHITE	1/2"		ORDINARY	SEMI-REC

— Indicates a suggested pipe routing
 - - - Existing 3" and 2 1/2" piping
 - - - - - Indicates a ceiling elevation change / features

CEILING DEMOLITION AND REPAIR NOTES	
	GWB Ceiling to be removed for pipe installation and subsequently re-installed and finished
	Some suspended ceiling tiles will be removed and may need to be replaced, if damaged.
	Some suspended ceiling tiles will be removed and may need to be replaced, if damaged.



PROJECT NOTES:
 THESE DOCUMENTS WERE PREPARED TO INDICATE THE EXTENT AND COMPLEXITY OF A PROJECT, FOR THE PURPOSE OF SELECTING A GENERAL AS WELL AS A FIRE SUPPRESSION CONTRACTOR VIA A STANDARD BIDDING PROCESS.
 UNDER NO CIRCUMSTANCES SHALL THESE DOCUMENTS BE USED FOR CONSTRUCTION, ONLY A SUGGESTED INTENT IS INDICATED, FOR THE PURPOSE OF BIDDING. THE FINAL CONSTRUCTION DOCUMENTS MUST BE APPROVED BY ALL APPROPRIATE STATE AND LOCAL AGENCIES.
 THE PROJECT ENTAILS A RETROFIT OF AN EXISTING EDUCATIONAL FACILITY WITH A NEW AUTOMATIC SPRINKLER FIRE SUPPRESSION SYSTEM.
 THE SPRINKLER SYSTEM SHALL BE DESIGNED PER ALL APPLICABLE NFPA STANDARDS.
 BECAUSE THE COLLATERAL DAMAGE OF THE EXISTING STRUCTURE MUST BE MINIMIZED, THE BUILDING OWNER HAS REQUESTED THAT THE SYSTEM BE CONSTRUCTED OF COPPER TYPE M.
 ALL OF THE ARCHITECTURAL WORK, I.E. WORK OTHER THAN THE SPRINKLER SYSTEM INSTALLATION, SHALL BE PERFORMED BY A GENERAL CONTRACTOR. THIS INCLUDES REMOVAL, STORAGE AND PROTECTION OF ALL ITEMS WHICH COULD BE POTENTIALLY DAMAGED (FURNITURE, OFFICE AND LAB EQUIPMENT, ELECTRICAL FIXTURES, ETC.) AFTER THE SPRINKLER PIPING INSTALLATION (INCLUDING ALL REQUIRED INSPECTIONS) IS COMPLETE. THE ITEMS SHALL BE REPLACED.
 IT IS NOT NECESSARY TO CENTER THE SPRINKLERS IN THE DROPPED CEILING TILES.

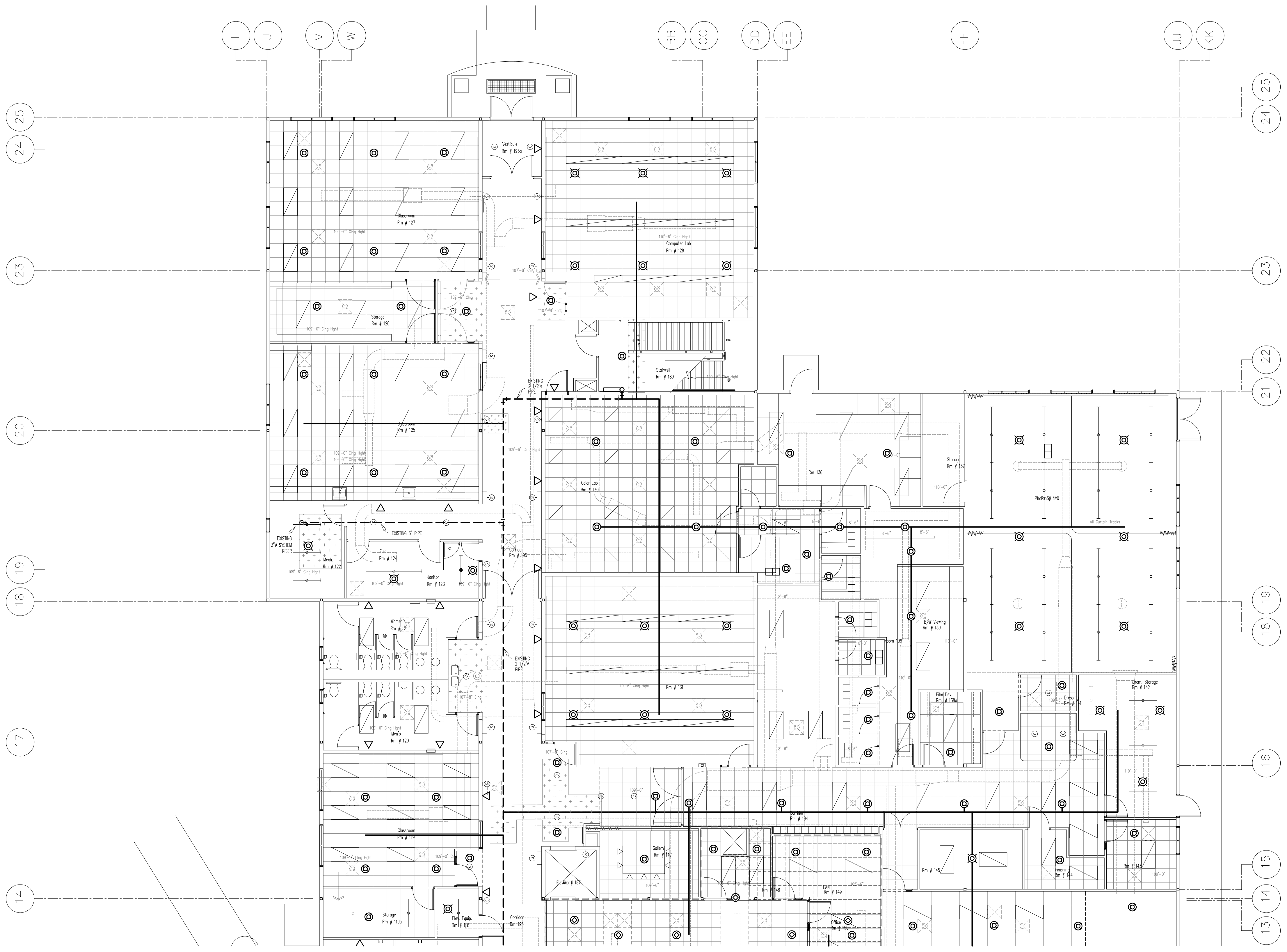


Sprinklers R Us, Inc
 3810 S. W. 10TH AVE., CARBONDALE, COLORADO 81625
 PHONE: (970) 963-9152 FAX: (970) 963-9598

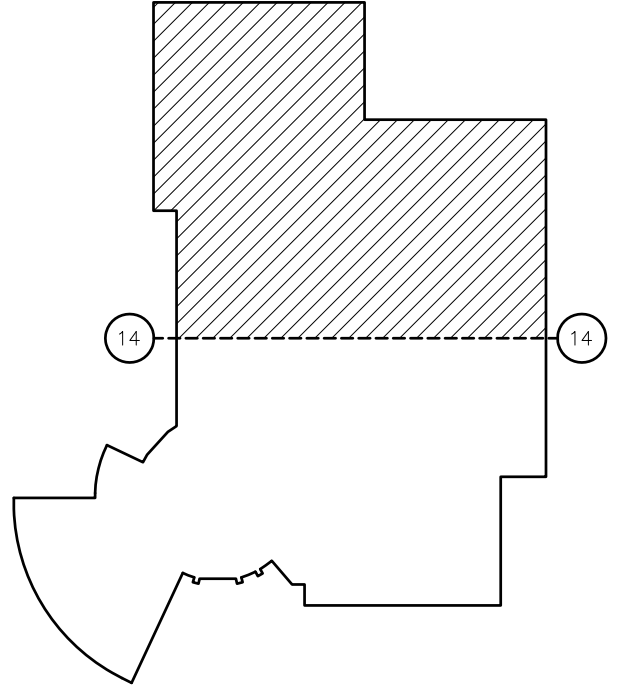
PROJECT: **CMC SV ACADEMIC CENTER**
 SPRING VALLEY, GLENWOOD SPRINGS, COLORADO 81601

DRAWING DESCRIPTION FIRE SPRINKLER LAYOUT	DRAWN BY: b j v	CHECKED BY: M.G.
	DATE: 08.10.2015	OCCUPANCY HAZARD: LIGHT HAZARD
	JOB NO:	SCALE: 1/8" = 1'-0"
	APPROVALS:	

DRAWING NO: **FP1**



PARTIAL MAIN FLOOR FIRE SPRINKLER LAYOUT
 SCALE: 1/8" = 1'-0"

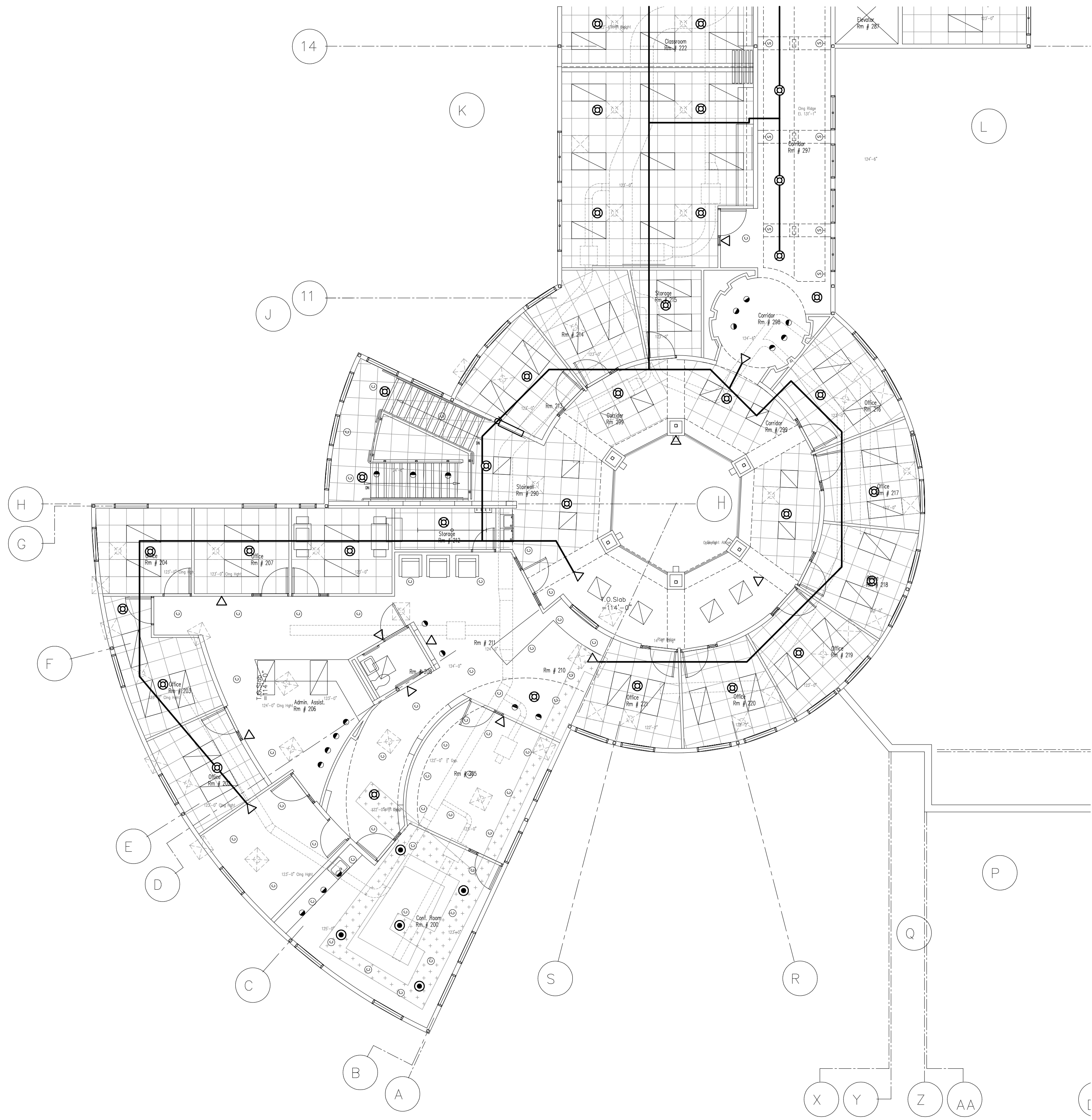


Sprinklers R Us, Inc
 3510 S. W. 15th Ave., Suite 100, Littleton, Colorado 80120
 PHONE: (303) 943-9122 FAX: (303) 943-9122

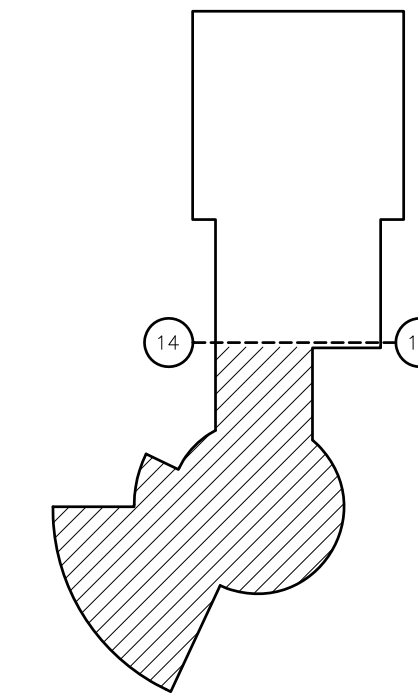
PROJECT:
CMC SV ACADEMIC CENTER
 SPRING VALLEY, GLENWOOD SPRINGS, COLORADO 80601

DRAWING DESCRIPTION	FIRE SPRINKLER LAYOUT		
DRAWN BY:	b j v	CHECKED BY:	M. G.
DATE:	08.10.2015	OCCUPANCY HAZARD:	LIGHT HAZARD
JOB NO:		SCALE:	1/8" = 1'-0"
APPROVALS:			

DRAWING NO:
FP2



PARTIAL UPPER FLOOR FIRE SPRINKLER LAYOUT
 SCALE: 1/8" = 1'-0"

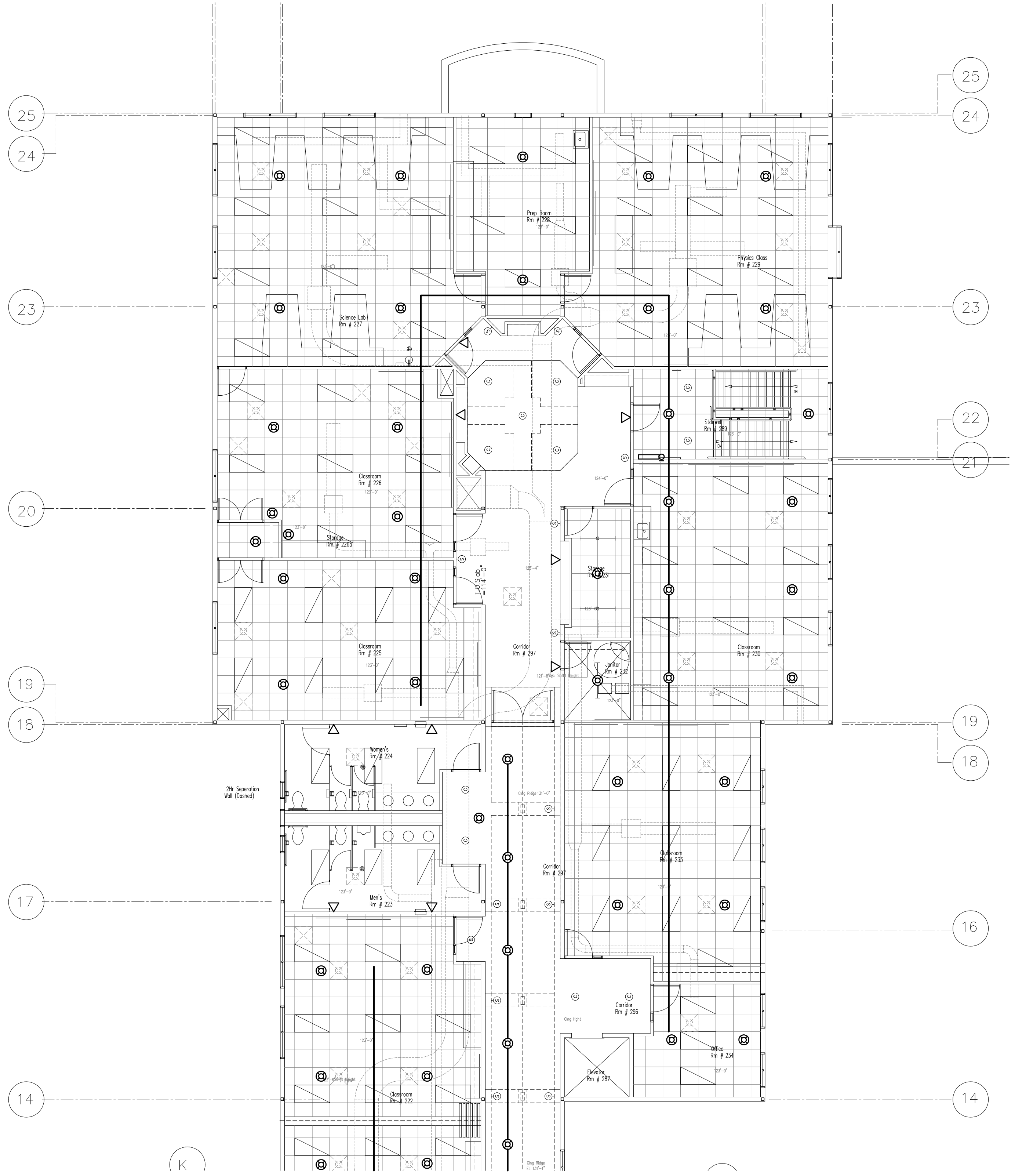


Sprinklers R Us, Inc
 3514 S. W. 11TH AVE., CARBONDALE, COLORADO 81625
 PHONE: (303) 943-8152 FAX: (303) 943-5581

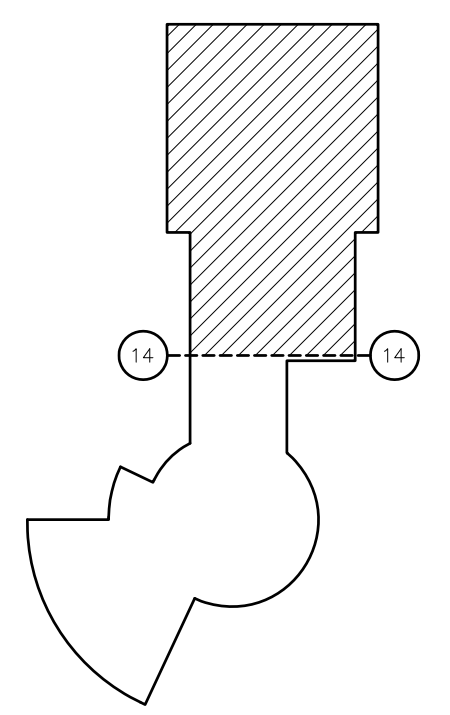
PROJECT:
CMC SV ACADEMIC CENTER
 SPRING VALLEY, GLENWOOD SPRINGS, COLORADO 81601

DRAWING DESCRIPTION FIRE SPRINKLER LAYOUT	DRAWN BY:	b j v	CHECKED BY:	M. G.
	DATE:	08.10.2015	OCCUPANCY HAZARD:	LIGHT HAZARD
	JOB NO:		SCALE:	1/8" = 1'-0"
	APPROVALS:			

DRAWING NO:
FP3



PARTIAL UPPER FLOOR FIRE SPRINKLER LAYOUT
 SCALE: 1/8" = 1'-0"



Sprinklers R Us, Inc
 3514 S. W. 15th Ave., Suite 100, Littleton, CO 80120
 PHONE: (303) 943-8122 FAX: (303) 943-8122

PROJECT:
CMC SV ACADEMIC CENTER
 SPRING VALLEY, GLENWOOD SPRINGS, COLORADO 80601

DRAWING DESCRIPTION FIRE SPRINKLER LAYOUT	DRAWN BY: b j v	CHECKED BY: M.G.
	DATE: 08.10.2015	OCCUPANCY HAZARD: LIGHT HAZARD
	JOB NO:	SCALE: 1/8" = 1'-0"
	APPROVALS:	

DRAWING NO:
FP4