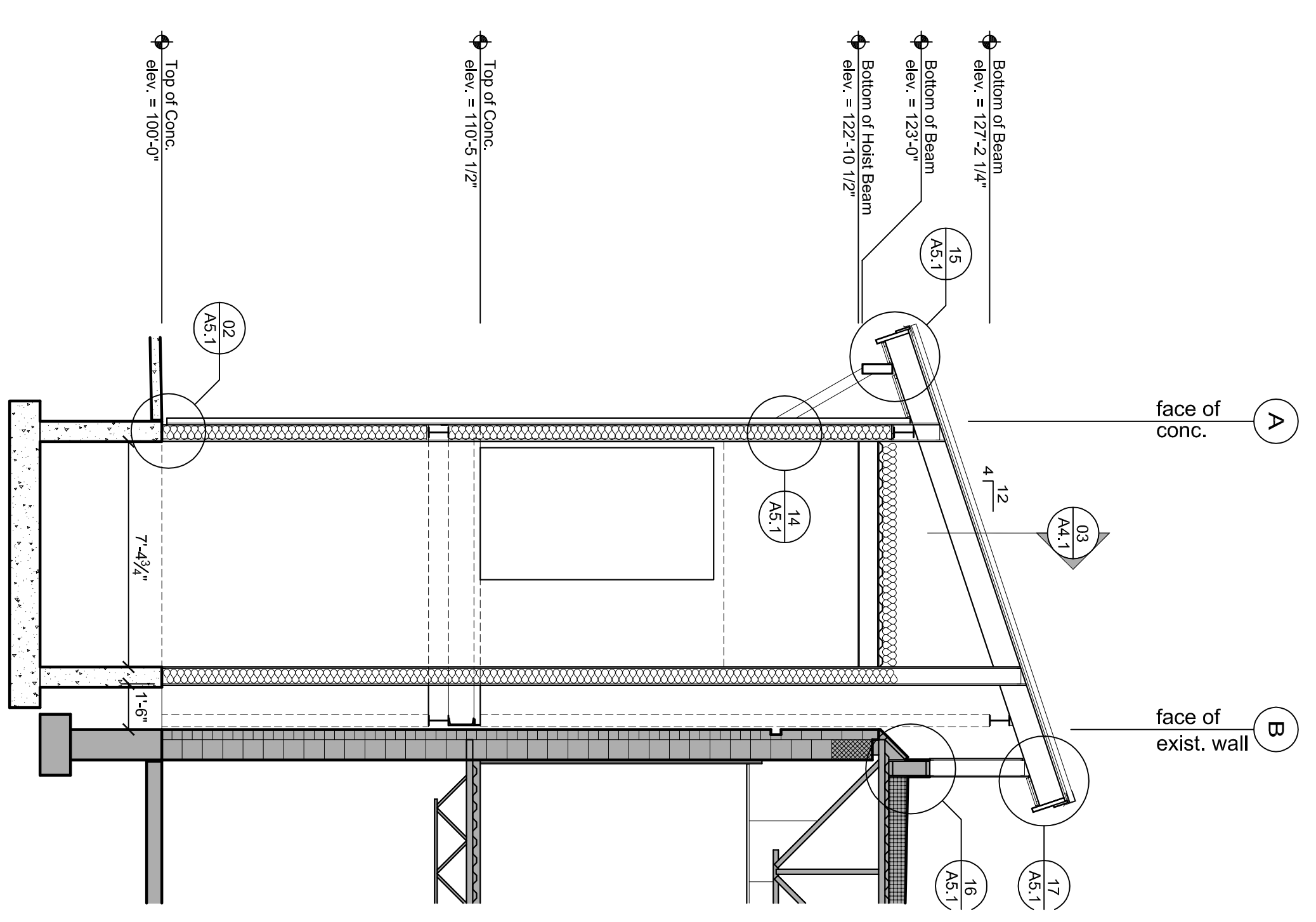
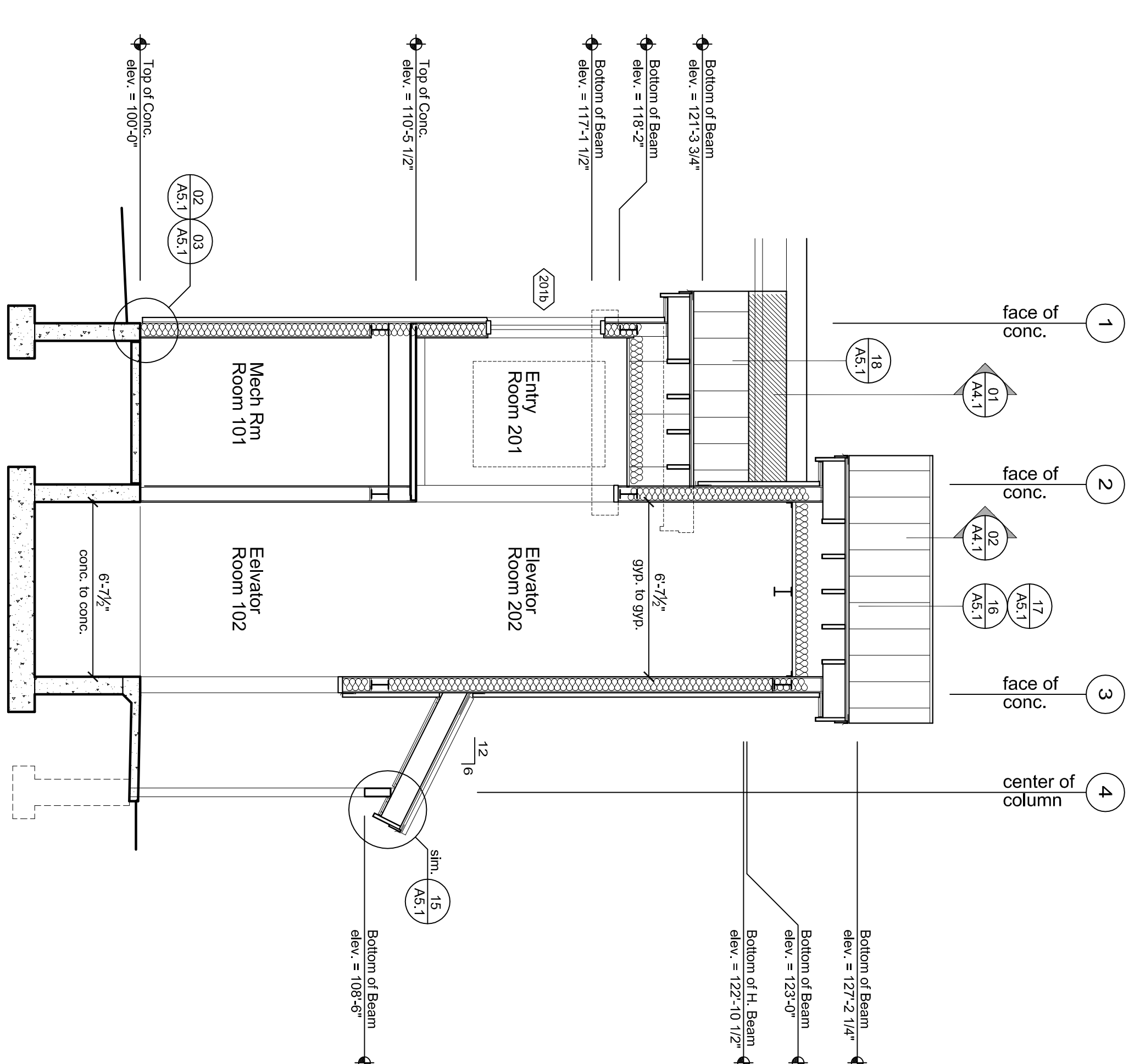


01 Building Section
 A4.1 scale: 1/4" = 1'-0"



02 Building Section
 A4.1 scale: 1/4" = 1'-0"



03 Building Section
 A4.1 scale: 1/4" = 1'-0"

Colorado Mountain College
Crown Point Remodel & Addition
 901 South Highway 24
 Leadville, CO 81461

Construction
Sections
Date: 3-21-16
Project #: 158811
A4.1