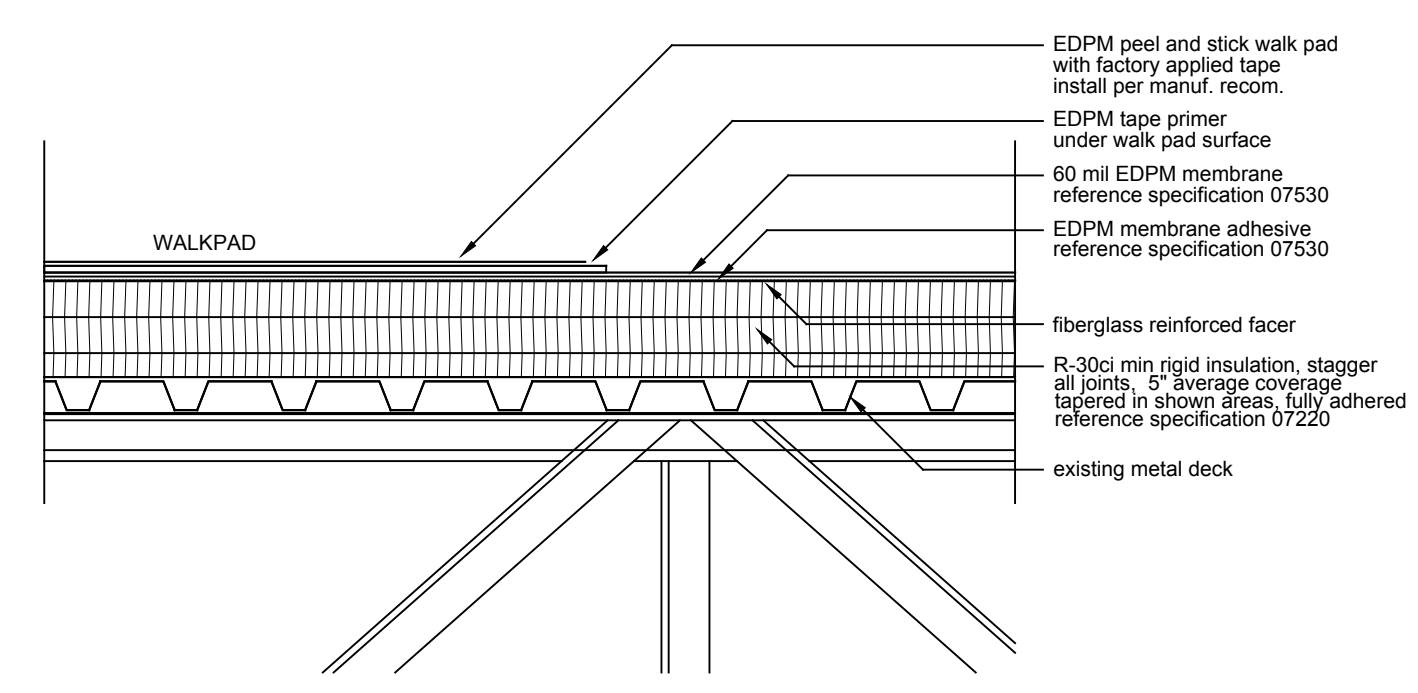
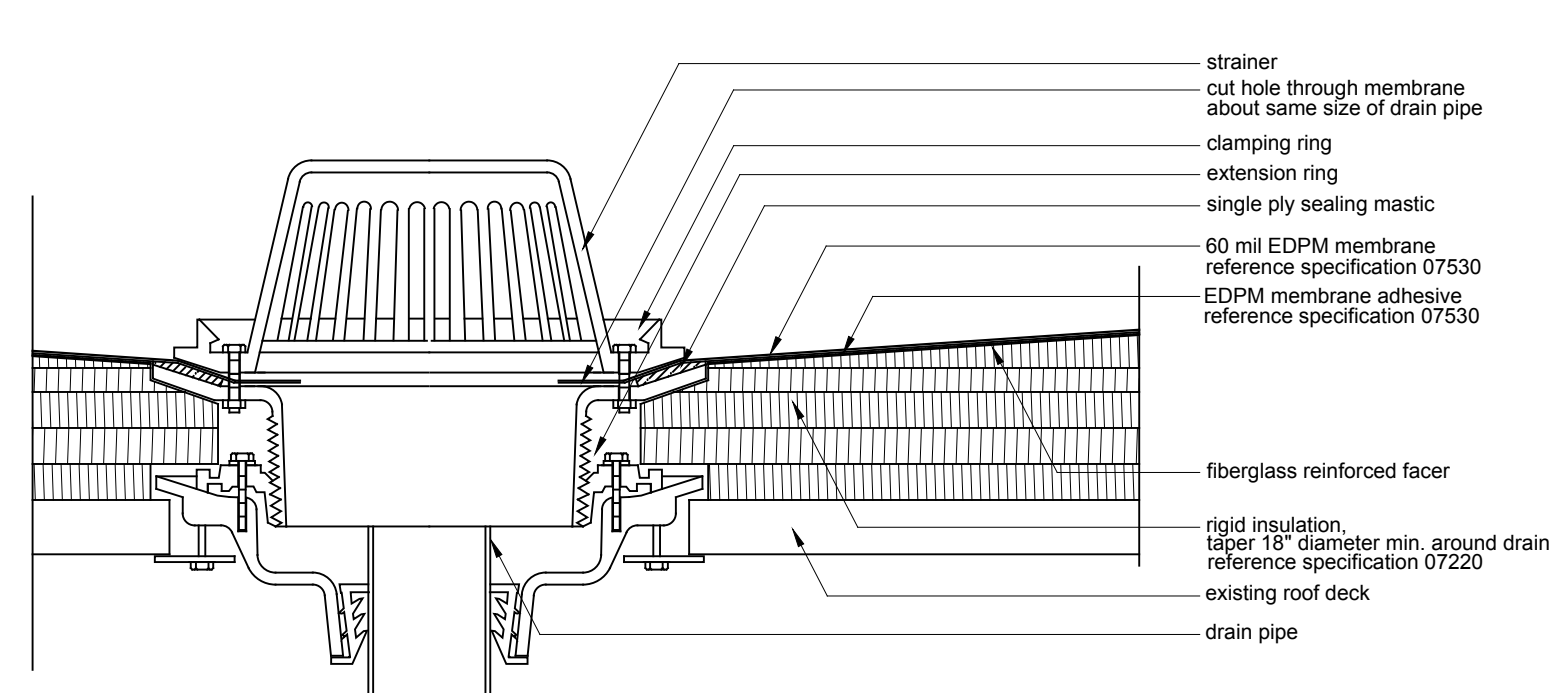


Jeff Johnson
Architectural PC
 136 East Third Street
 Rifle, CO 81650
 970-625-0580
 jarch@rof.net
 Copyright 2018

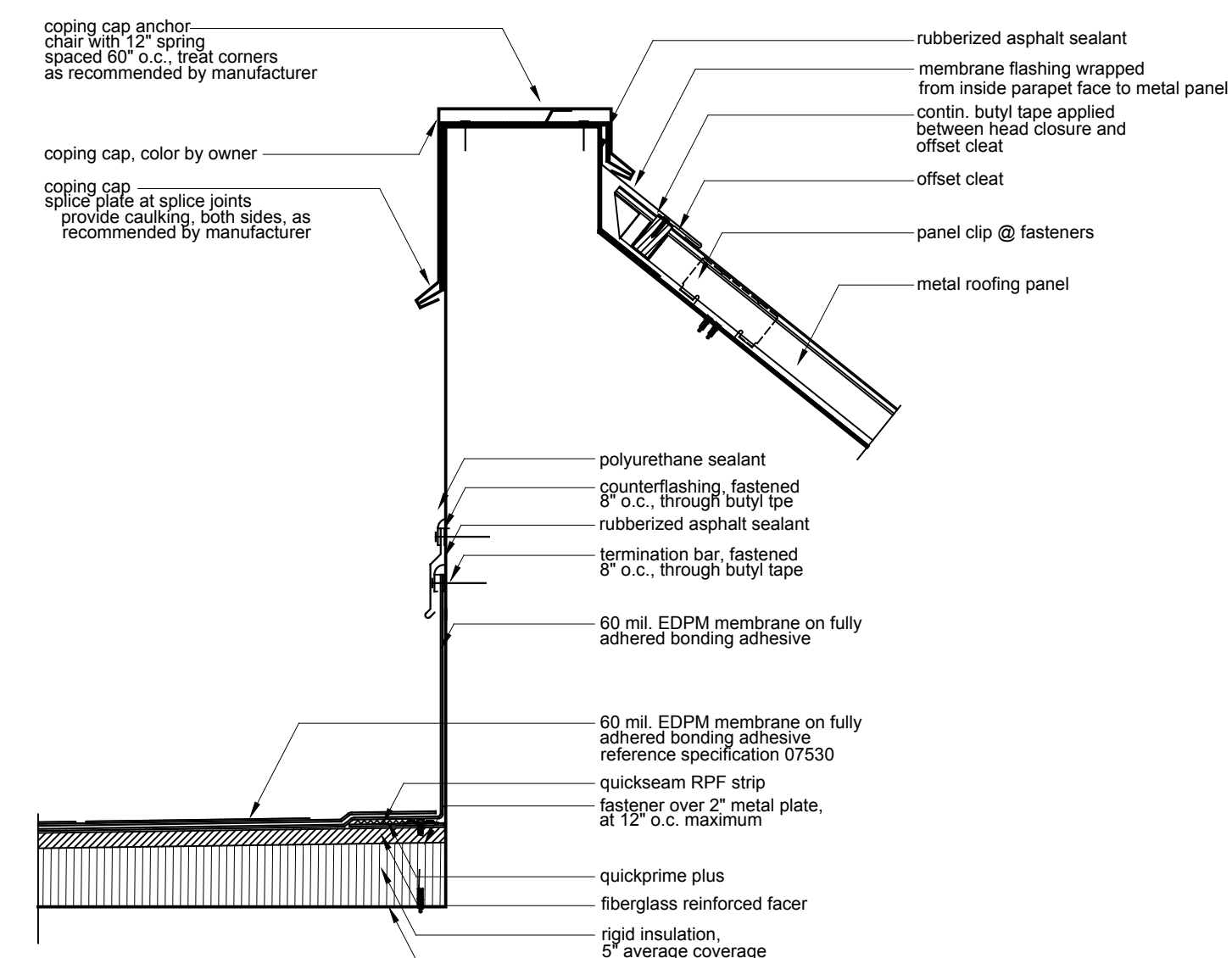
Colorado Mountain College
Quigley Library Roof Renovations
 Spring Valley Campus, 3000 County Road 114
 Glenwood Springs, Colorado



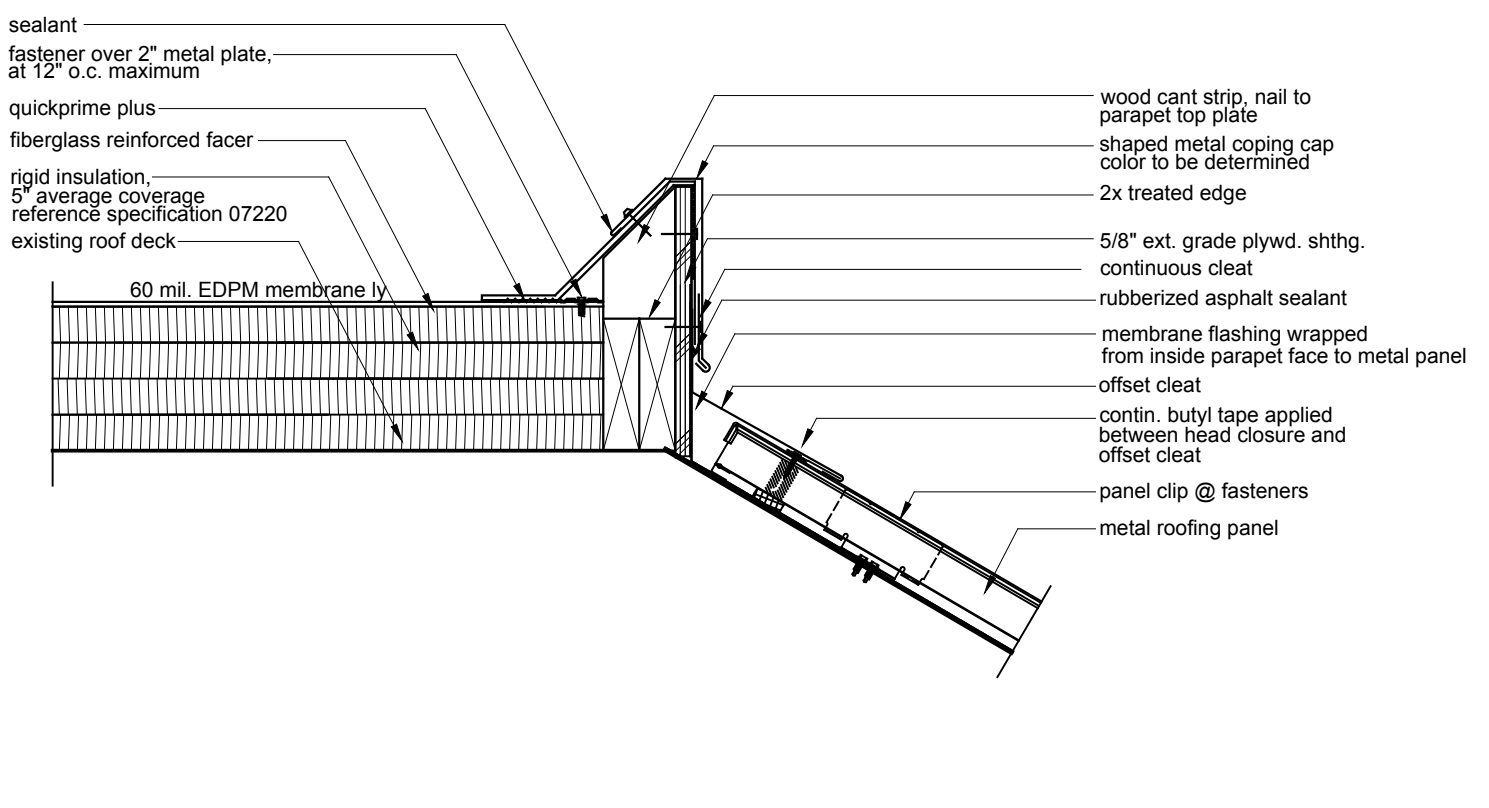
1 Roof Surface Detail
 scale: 1 1/2" = 1'-0"



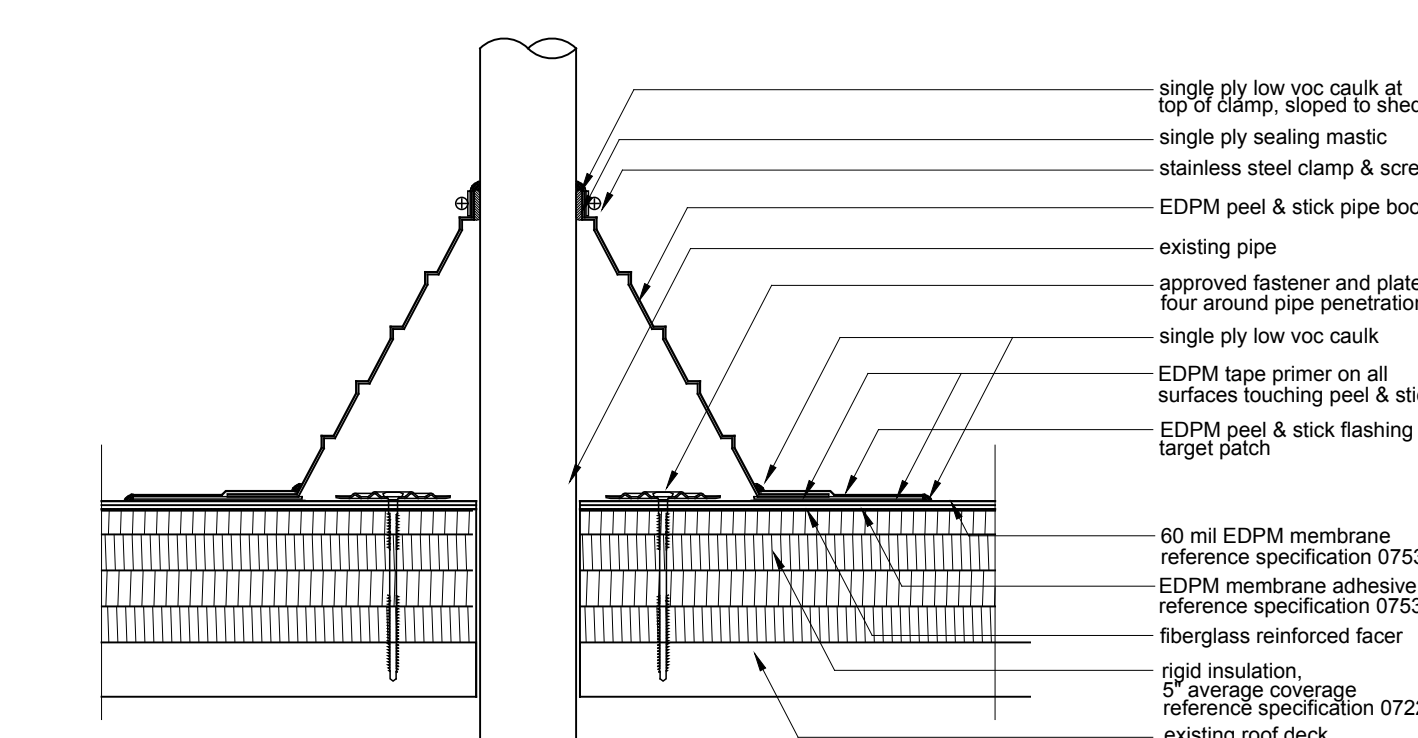
2 Roof drain detail
 scale: 1 1/2" = 1'-0" E-DV-08



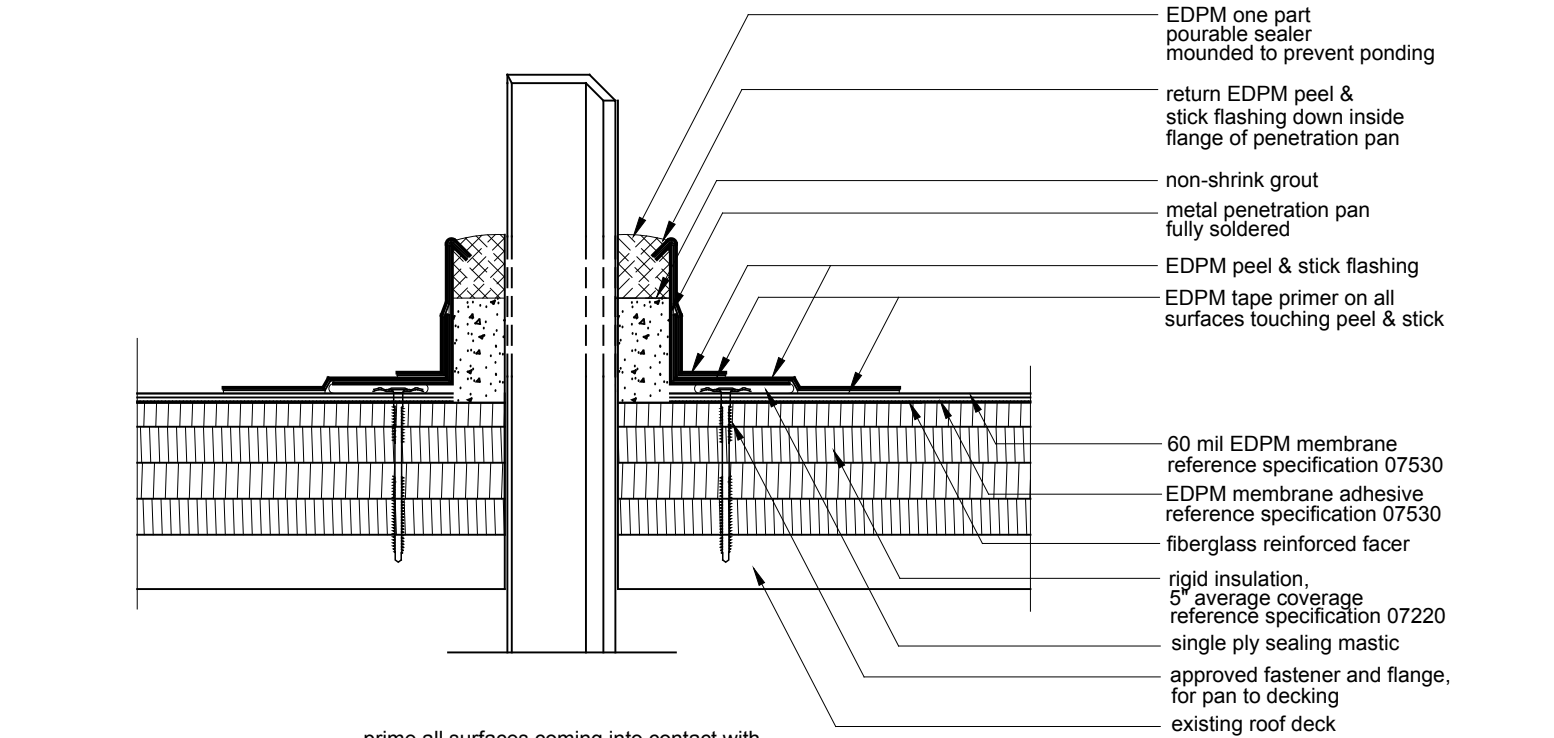
3 Walk out wall
 scale: 1 1/2" = 1'-0"



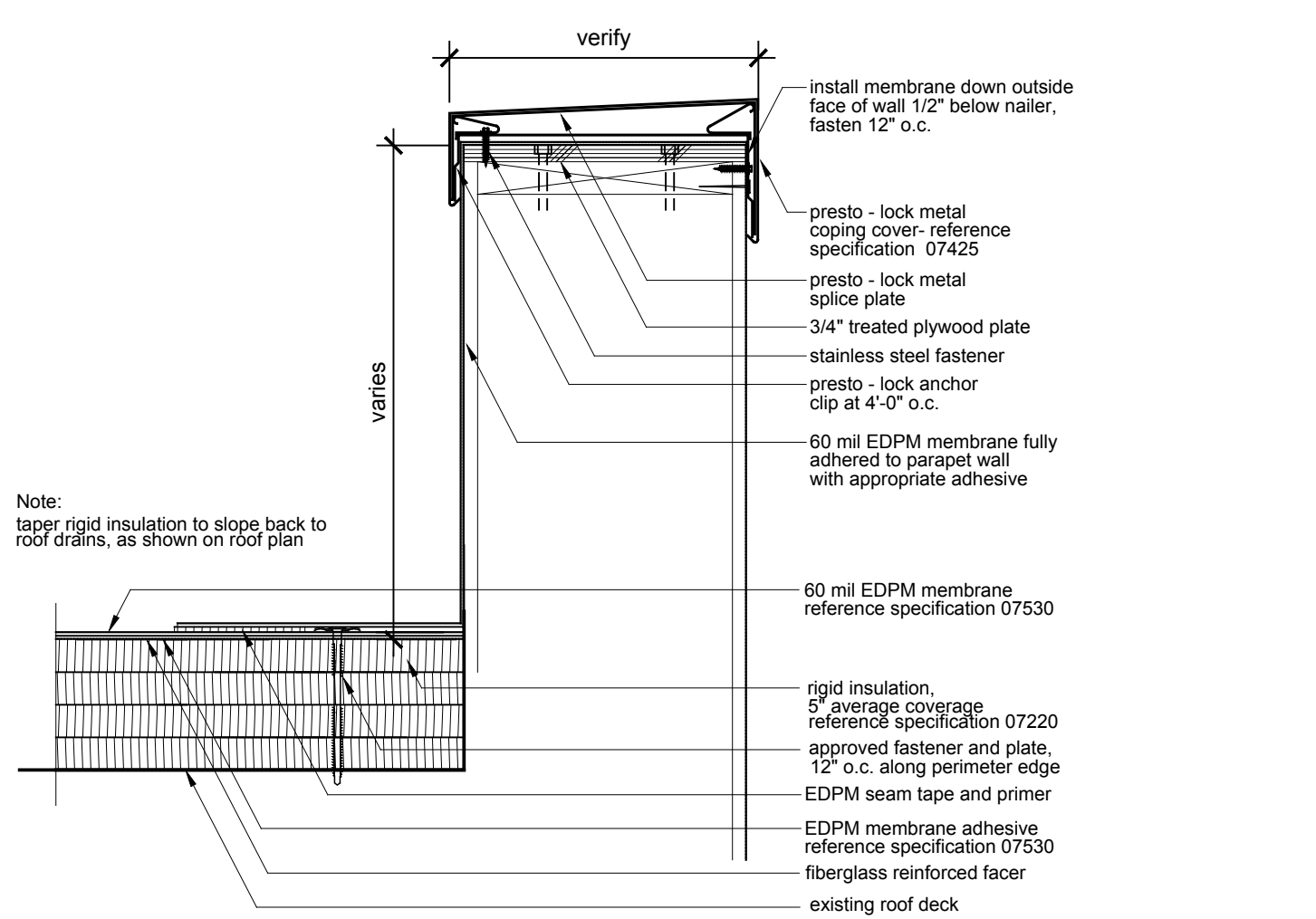
4 Roof edge at Shed
 scale: 1 1/2" = 1'-0"



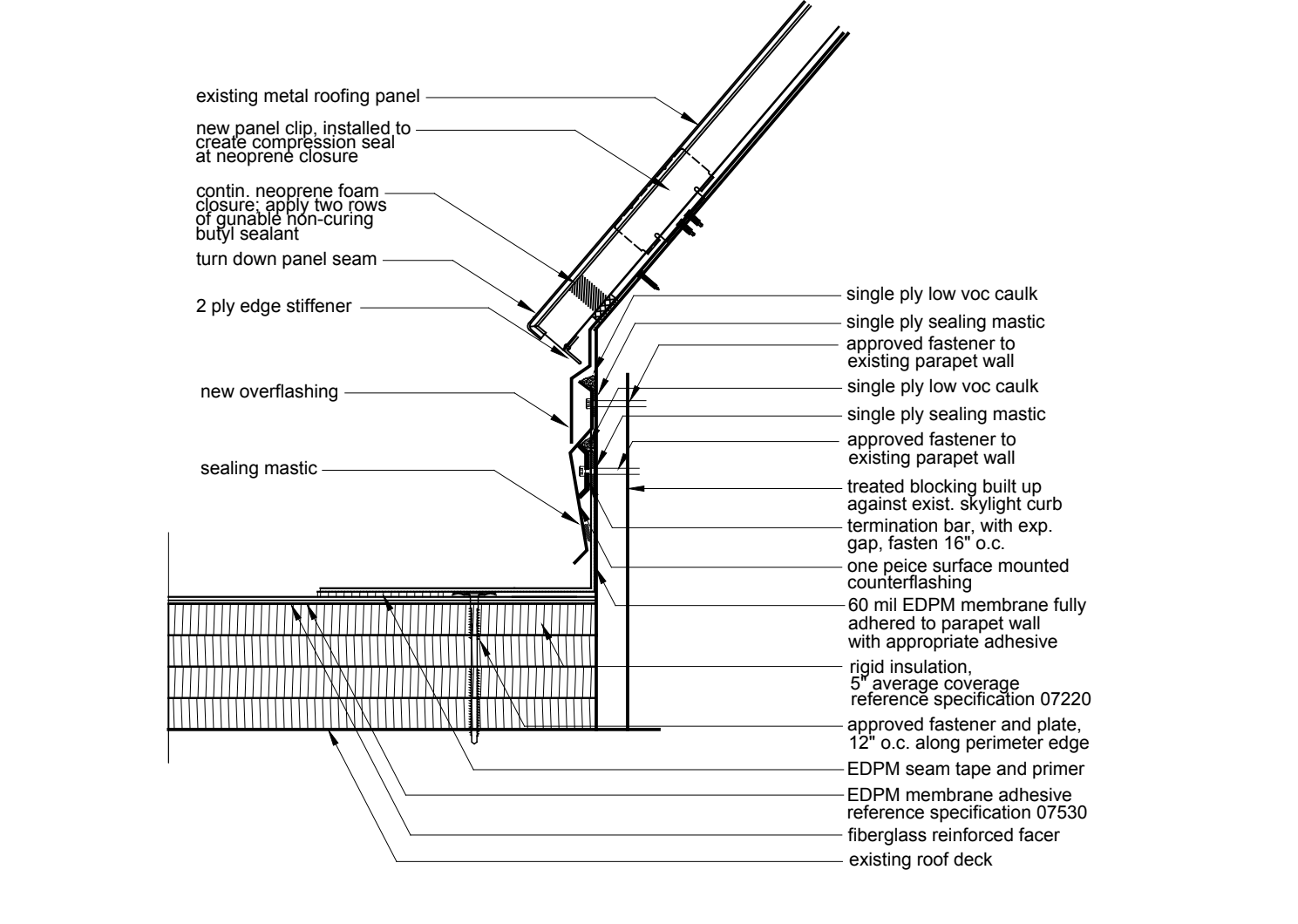
5 Pipe Penetration
 scale: 1 1/2" = 1'-0" E-FP-07



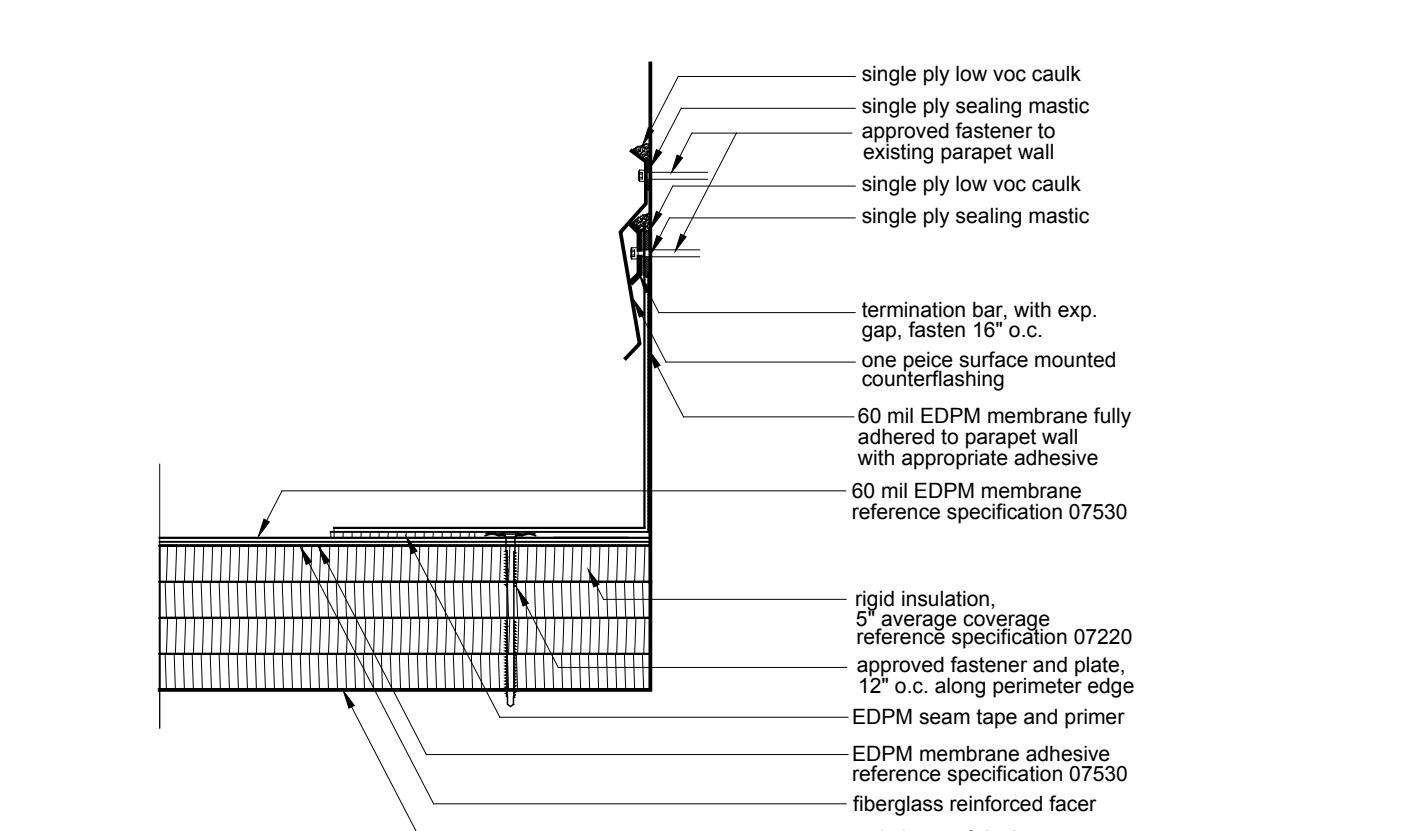
6 Pitch Pan Detail
 scale: 1 1/2" = 1'-0" E-FP-04



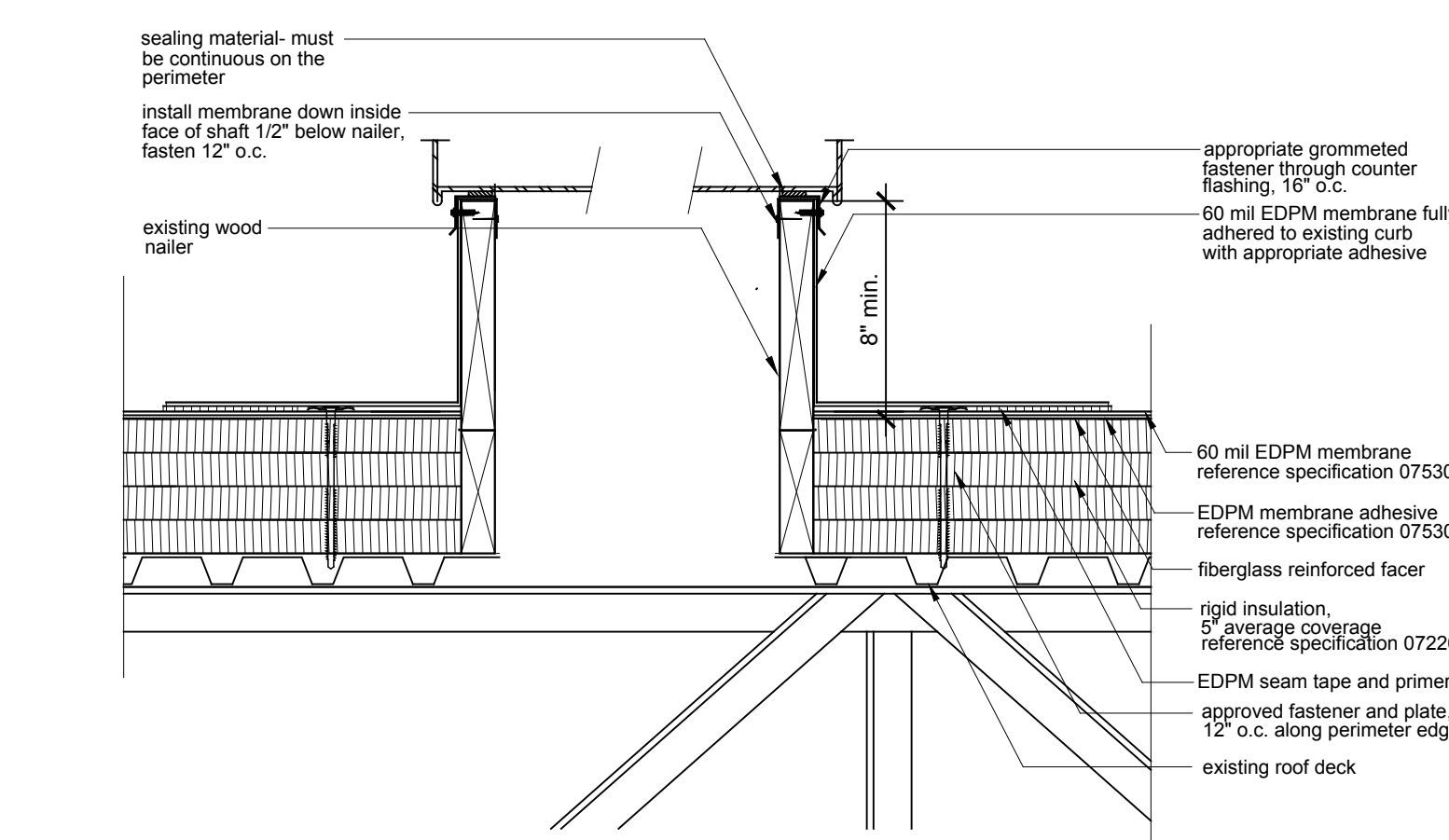
7 Parapet Detail
 scale: 1 1/2" = 1'-0" E-FW-T2



8 Roof to Metal Shed Detail
 scale: 1 1/2" = 1'-0"



9 Roof to Wall Detail
 scale: 1 1/2" = 1'-0" E-FW-12



10 Roof Curb Detail
 scale: 1 1/2" = 1'-0"

Existing Roof composition		New Roof composition	
felt tar gravel - 4 ply	4.8 lbs	60 mil EDPM	0.5 lbs
metal decking	unchanged	5" rigid insulation	2.0 lbs
steel roof joists	unchanged	metal decking	unchanged
		steel roof joists	unchanged
net roofing assembly weight reduced, therefore not subject to Structural review			
Applicable Code: International Building Code 2015 Minimum R Value: R-30ci (IECC 2015; Table C402.1.3; Garfield County; Climate Zone 5b)			

Construction
New Roof Details
Date: 11-10-18
1809B-11-10-18
RD2