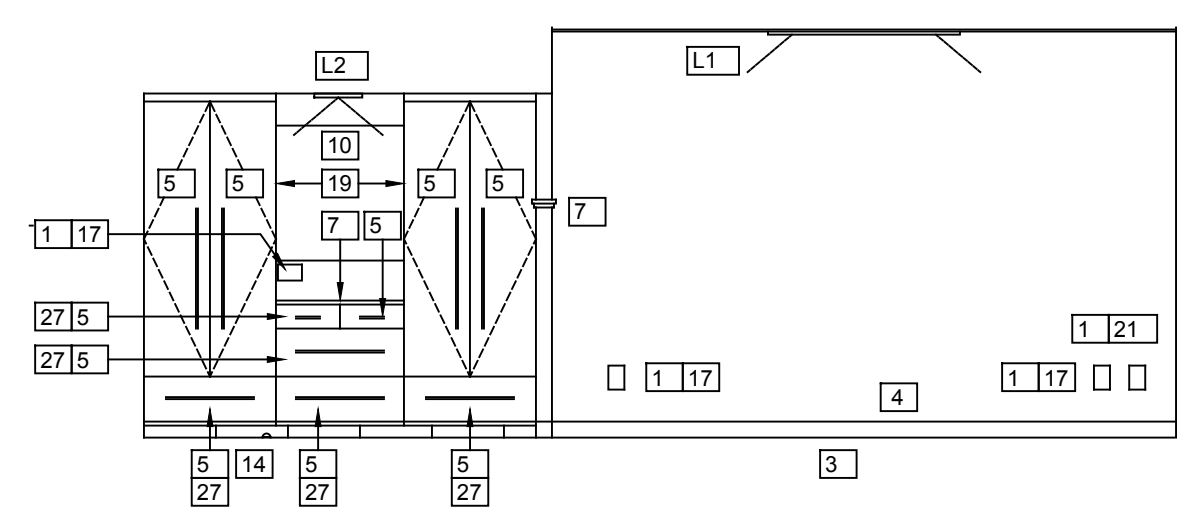
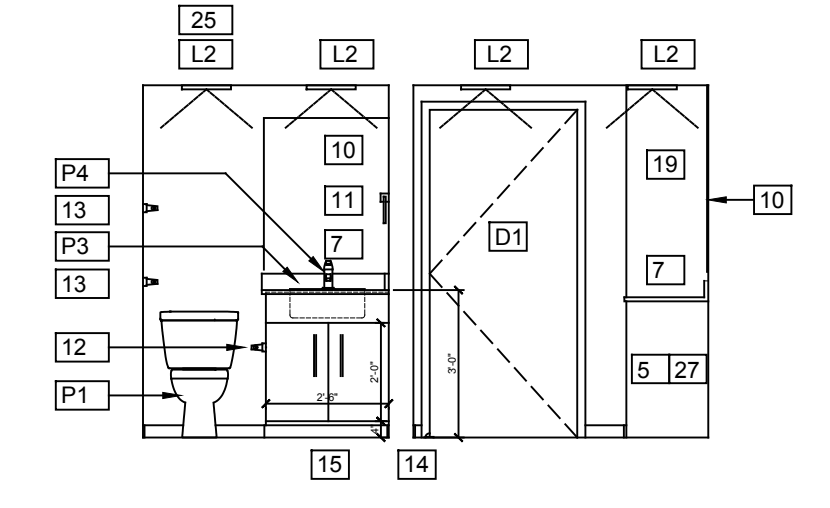


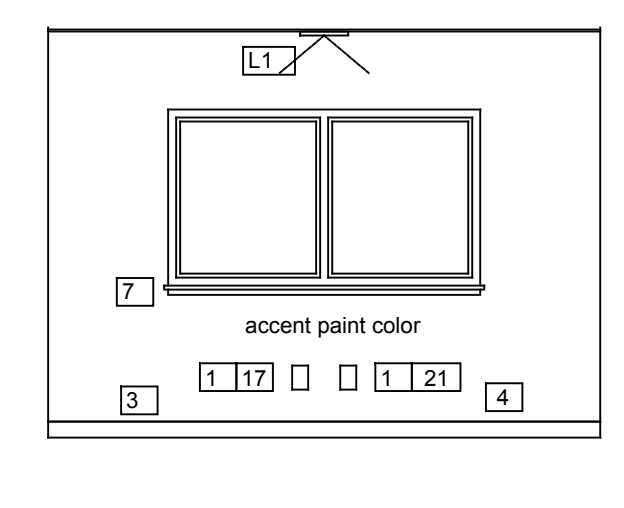
**01 Interior Elev**  
 REN1 scale: 1/4" = 1'-0"



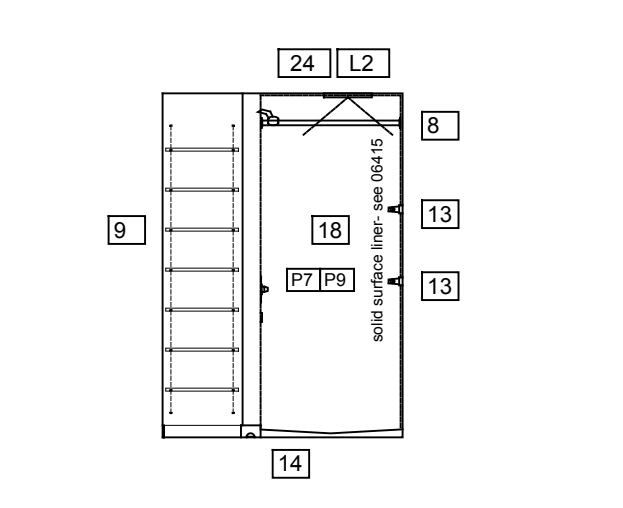
**02 Interior Elev**  
 REN1 scale: 1/4" = 1'-0"



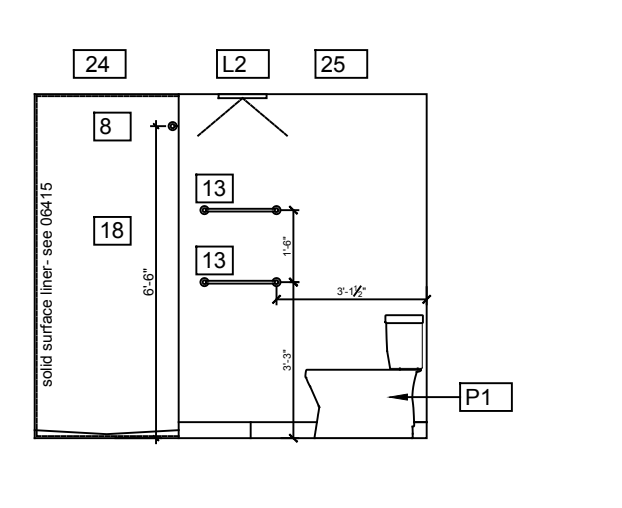
**03 Interior Elev**  
 REN1 scale: 1/4" = 1'-0"



**04 Interior Elev**  
 REN1 scale: 1/4" = 1'-0"

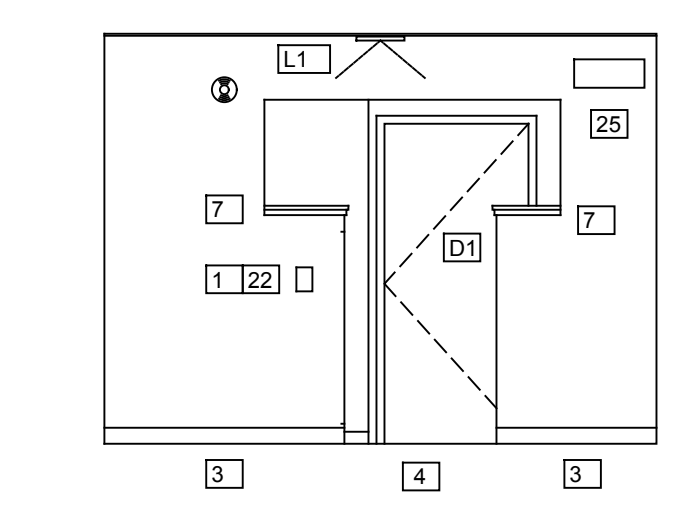


**05 Interior Elev**  
 REN1 scale: 1/4" = 1'-0"

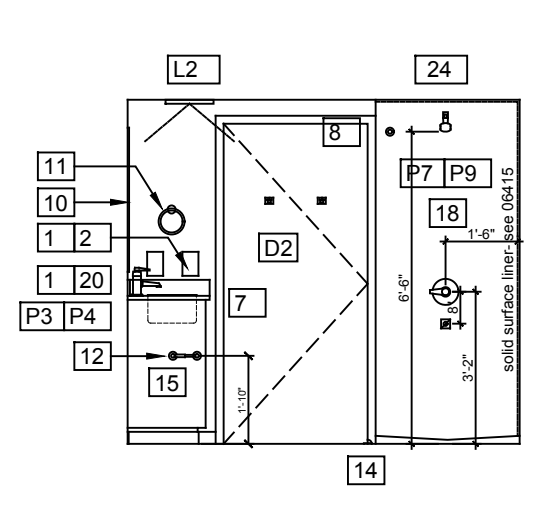


**06 Interior Elev**  
 REN1 scale: 1/4" = 1'-0"

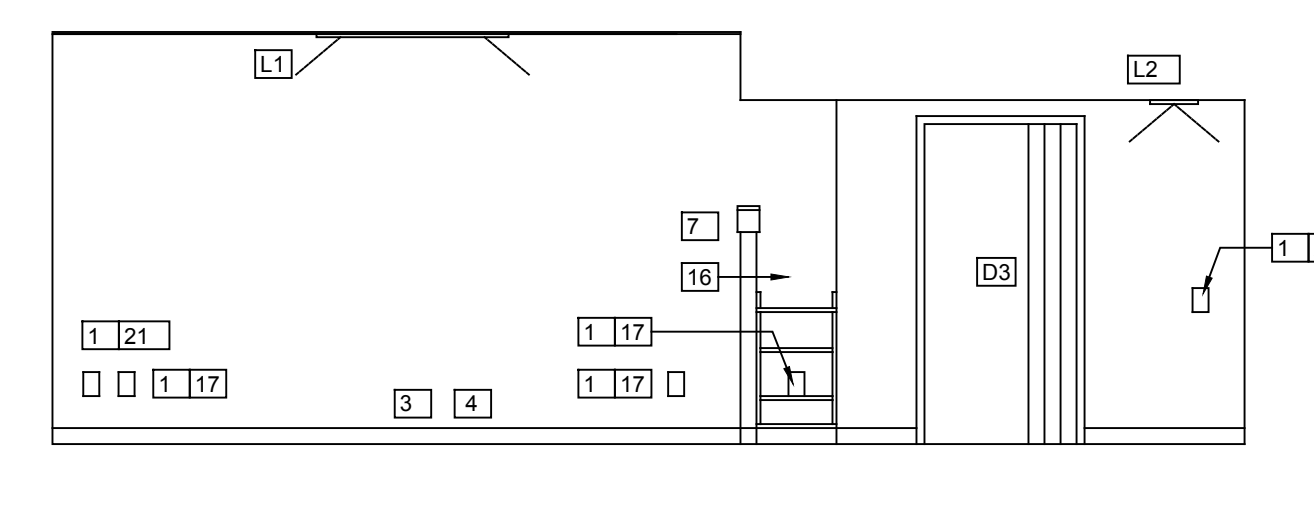
15/REN1: centerline of toilet adjusted to comply with ANSI 117.1/1103.11.2.4  
 Note to General Contractor:  
 this may require a change in the width of the bathroom vanity



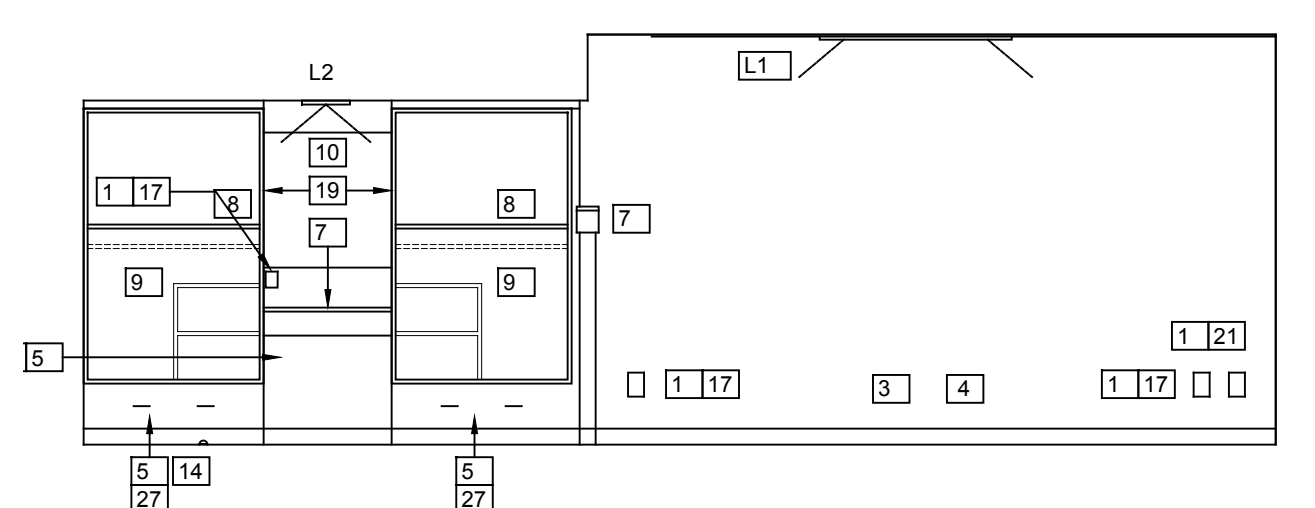
**07 Interior Elev**  
 REN1 scale: 1/4" = 1'-0"



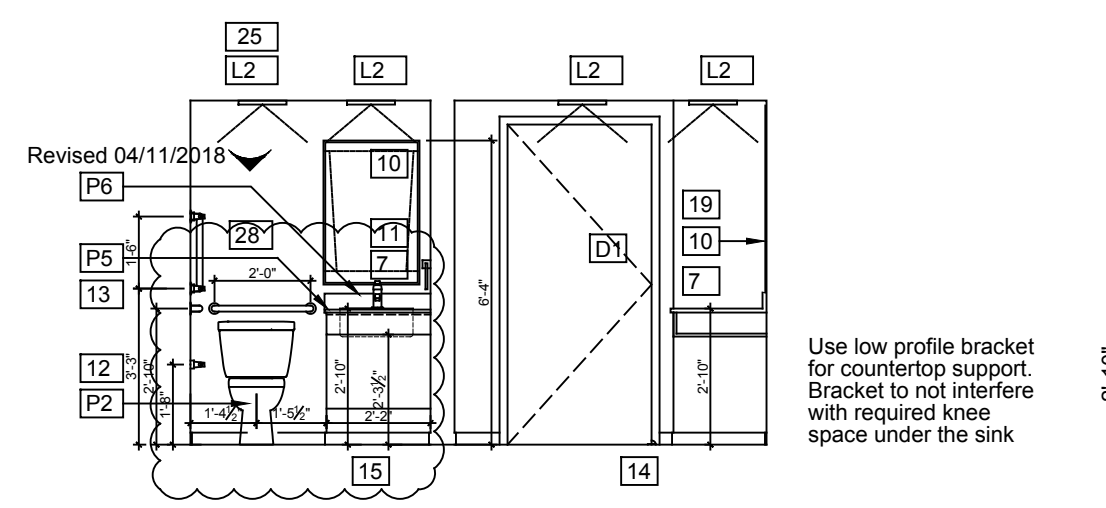
**08 Interior Elev**  
 REN1 scale: 1/4" = 1'-0"



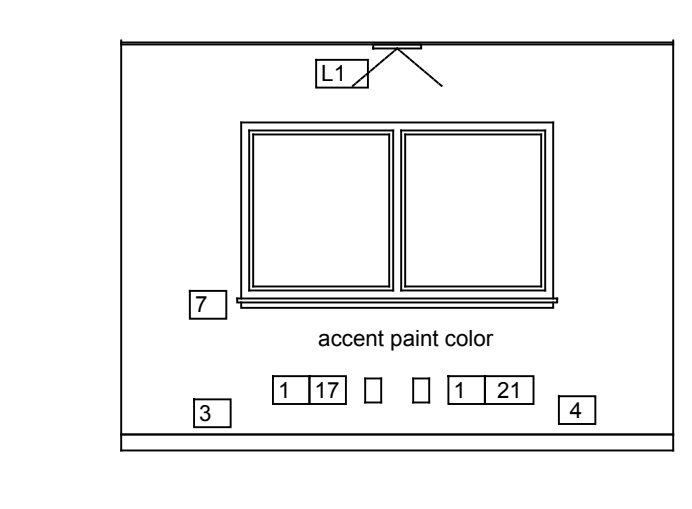
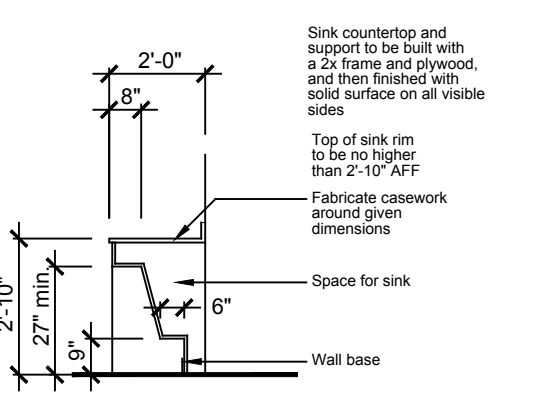
**09 Interior Elev**  
 REN1 scale: 1/4" = 1'-0"



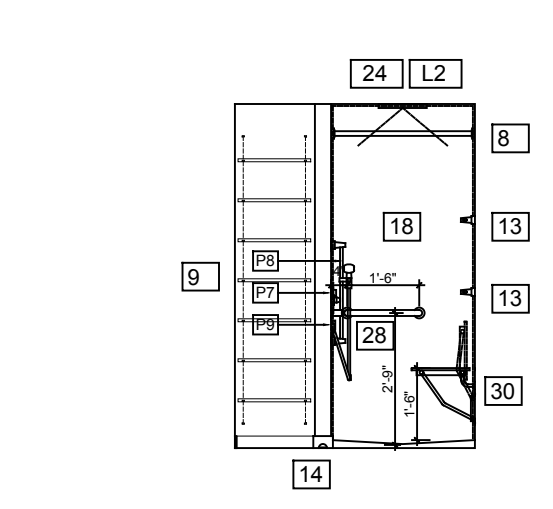
**10 Interior Elev**  
 REN1 scale: 1/4" = 1'-0"



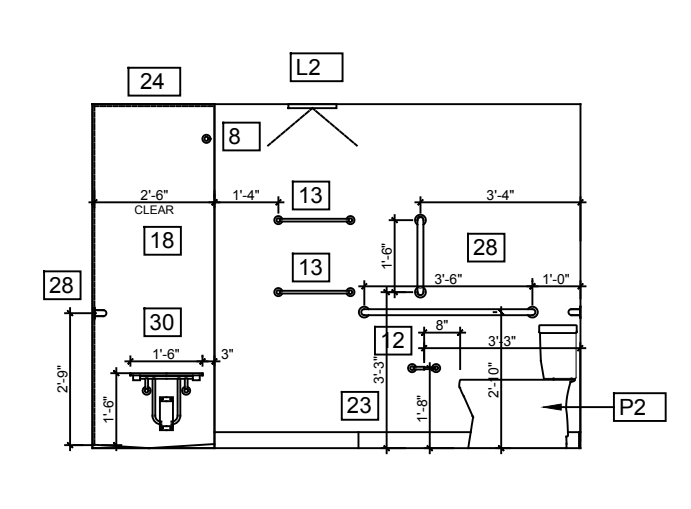
**15 Interior Elev**  
 REN1 scale: 1/4" = 1'-0"



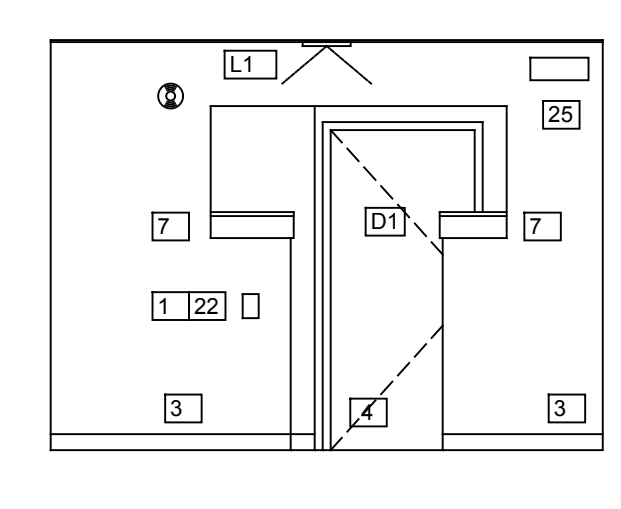
**12 Interior Elev**  
 REN1 scale: 1/4" = 1'-0"



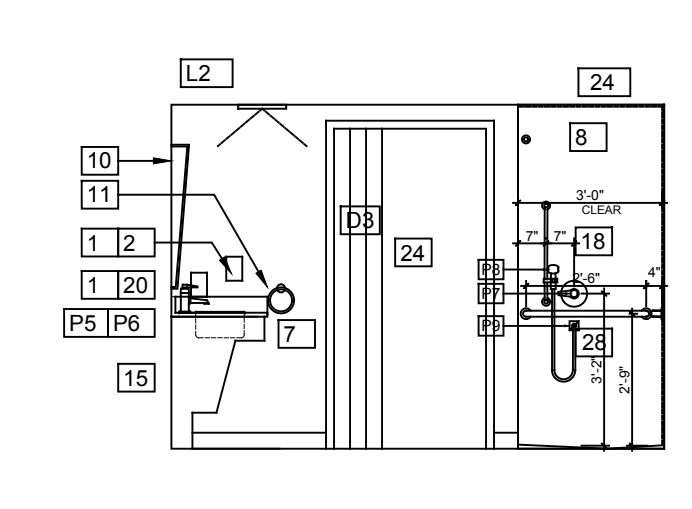
**13 Interior Elev**  
 REN1 scale: 1/4" = 1'-0"



**14 Interior Elev**  
 REN1 scale: 1/4" = 1'-0"

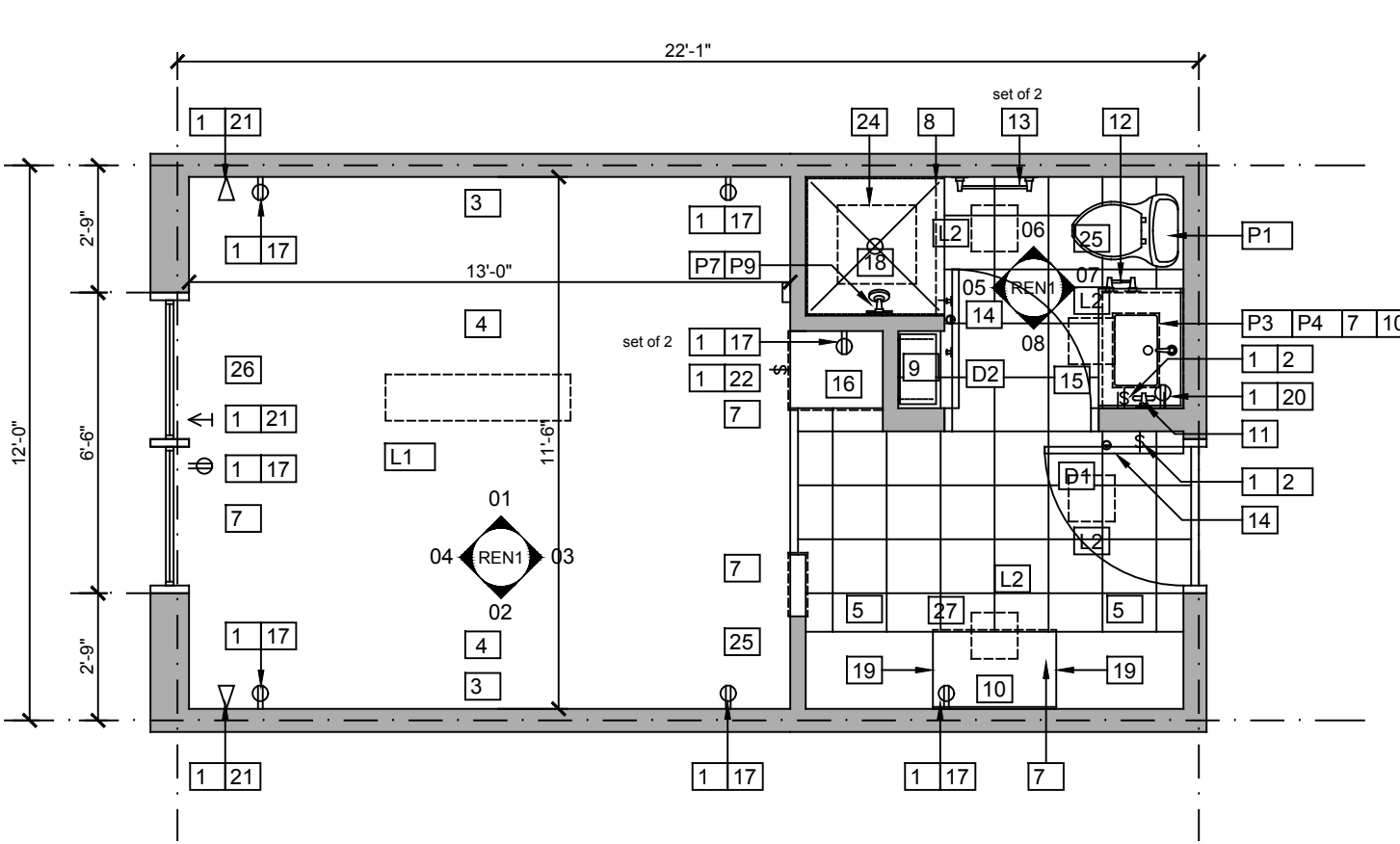


**11 Interior Elev**  
 REN1 scale: 1/4" = 1'-0"

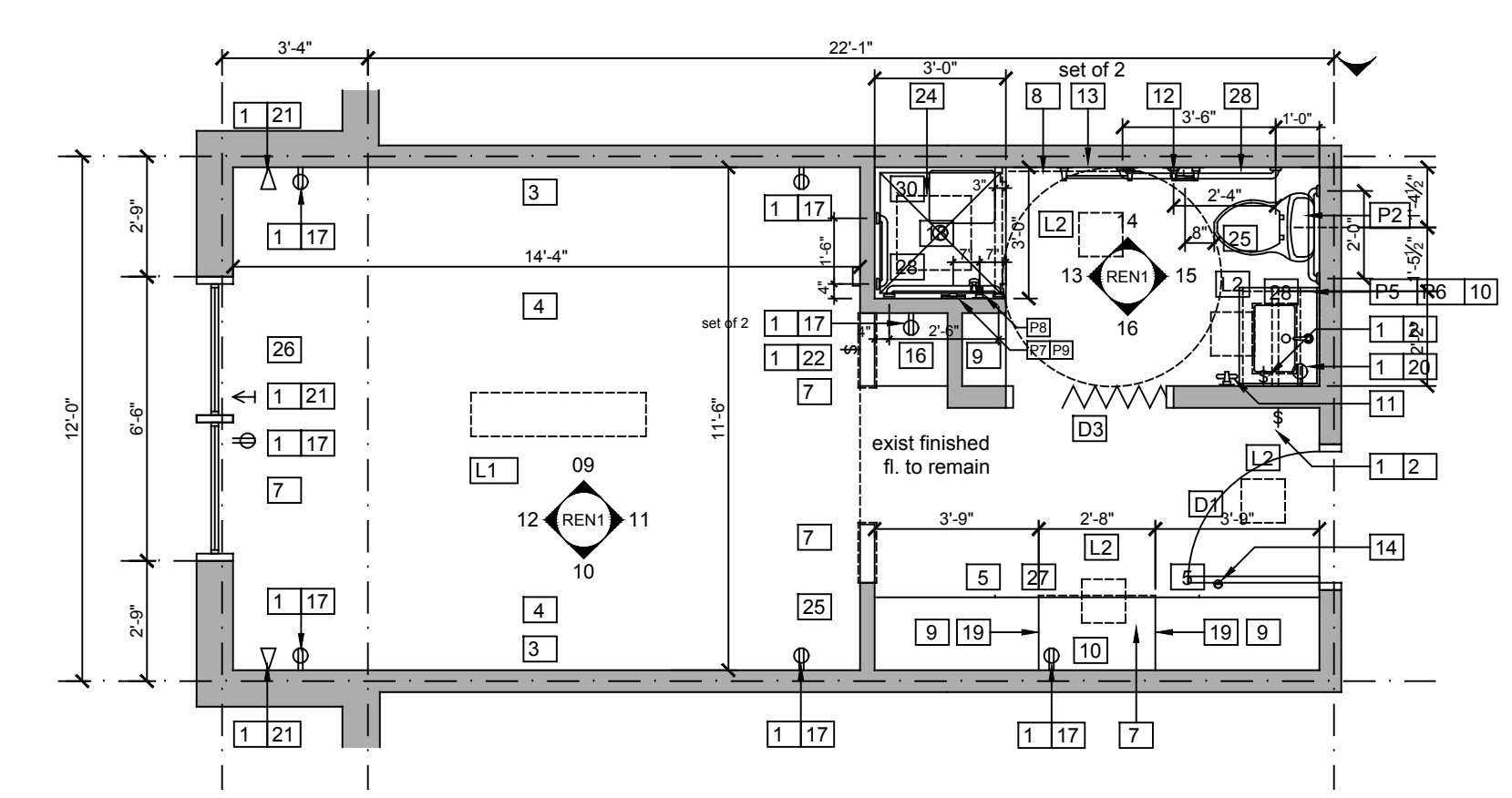


**16 Interior Elev**  
 REN1 scale: 1/4" = 1'-0"

14/REN1: added dimension from back of wall to center line of toilet paper holder  
 holder is below grab bar, 18" above floor, and 39" from wall



**17 Standard Renovation Plan**  
 REN1 scale: 1/4" = 1'-0"



**18 ADA Unit Renovation Plan**  
 REN1 scale: 1/4" = 1'-0"

18/REN1: centerline of toilet adjusted to comply with ANSI 117.1/1103.11.2.4  
 Note to General Contractor:  
 this may require a change in the width of the bathroom vanity

**RENOVATION NOTES**

- C1** Duplex/ Switch wallplate  
 Manufacturer: Leviton  
 Model: Decora 80401-SW  
 Color: White  
 Remarks: Adjust outlet height in bathroom to accommodate new cabinet and countertop height (if needed)
- C2** Light Switch  
 Manufacturer: Leviton  
 Model: Decora 5601-2WS  
 Color: White
- 3** Rubber Wall base - see 09653  
 Manufacturer: Johnsonite  
 Type: 4" TS group 1 cove  
 Color: Espresso
- 4** Existing Carpet to remain
- S5** New cabinet doors and drawer faces to be of same material, size and thickness as ones removed - see 06411  
 Laminate information:  
 Manufacturer: Wilsonart  
 Color: Versailles 7923  
 Hardware information:  
 Location: ATGStores.com  
 Product line: Jamison Collection  
 Model: P130SN (vertical mount)  
 Length: 30"  
 Remark: tall cabinet doors  
 Model: P122SN (horizontal mount)  
 Length: 22"  
 Remark: large drawers  
 Model: P106SN (horizontal mount)  
 Length: 6"  
 Remarks: small drawers
- S7** Solid surface countertop - see 06415  
 Manufacturer: Avonite  
 Product: Palermo (F1-9144)  
 Thickness: 1/2"  
 Provide 4" backsplash
- X8** Shower curtain rod
- S9** New shelves - see 06411  
 same material, width and depth as ones removed. Provide 6 new shelves  
 Laminate information:  
 Manufacturer: Wilsonart  
 Color: Versailles 7923  
 Hardware information:  
 Manufacturer: Knape and Vogt  
 Standard #: 80 ALM ANO 72  
 Bracket #: 150 ANO xx (provide correct bracket per shelf depth)
- 10** Mirror - see 10820  
 Manufacturer: see spec  
 Remarks: Replace commode one with same size and style
- C11** Towel Ring  
 Manufacturer: Delta  
 Product line: Compel  
 Product #: 77146-SS  
 secure w/ heavy duty butterfly anchor
- C12** Toilet Paper Holder  
 Manufacturer: Delta  
 Product line: Compel  
 Product #: 77250-SS  
 secure w/ heavy duty butterfly anchor
- C13** Towel Bar  
 Manufacturer: Delta  
 Product line: Compel  
 Product #: 77118-SS  
 secure w/ heavy duty butterfly anchor
- C14** Floor mounted door stop  
 Manufacturer: Rockwood  
 Style: 440 US26/625
- S15** New vanity cabinet to match - see 06411 material and depth,  
 as one removed. Cabinet height to be 36", 34" at ADA unit  
 Laminate information:  
 Manufacturer: Wilsonart  
 Color: Versailles 7923  
 Hardware information:  
 Location: ATGStores.com  
 Product line: Jamison Collection  
 Model: P110SN  
 Length: 10"
- S16** Provide Cubby Shelving - see 06411 housing and adjustable shelves  
 Laminate information:  
 Manufacturer: Wilsonart  
 Color: Versailles 7923
- C17** Outlet / USB charger device (provide new wiring)  
 Manufacturer: Leviton  
 Model: T5632-W  
 Color: White
- S18** Shower wall information - see 09300  
 Ceramic wall tile  
 Size: 4" x 12" vertical  
 Color: White, fully grout provide schluter edging  
 Shower floor information  
 Ceramic wall tile  
 Size: 2" x 2"  
 Color: White, fully grout  
 Grout Color:  
 386 Oyster Gray w/ water resist additive
- S19** Whiteboard - see 06411  
 Manufacturer: Formica  
 Product No.: 20949  
 Size: To fit in available space
- C20** Outlet GFI  
 Manufacturer: Leviton  
 Model: Decora GFNT2-PW  
 Color: White
- V21** Data / Communication outlet  
 Manufacturer: Leviton  
 Type D: telephone and CAT6 port  
 Type C: cable and CAT6 port by Wilson Cable
- C22** Light Switch  
 Manufacturer: Leviton  
 Model: Decora DSE06-10Z  
 Type: Rocker with dimmer slider, white
- C24** Gasketed Access Panel
- 25** new HVAC grills, two per unit, in white one in sleeping room, one in bathroom
- 26** NOT USED
- S27** provide drawer ball bearing slider hardware
- S28** SS grab bars and escutcheon trim - see 10820
- S30** ADA Shower Seat - see 10820
- C11** 1 x 4 LED surface mount light fixture
- C12** 1 x 1 LED surface mount light fixture
- C11** Toilet - See schedule
- C12** Toilet ADA - See schedule
- C13** Sink - See schedule
- C14** Faucet - See schedule
- C15** Sink - ADA - See schedule
- C16** Faucet - ADA See schedule
- C17** Shower Faucet - See schedule
- C18** Shower Handset - ADA - See schedule
- C19** Shower Valve - See schedule
- C20** Entry Door: bulb seal and kickplate sand and reseat
- C21** Bathroom Door: doorstop, robe hooks sand and reseat
- D3** ADA Accordion door & frame

**NOTES:**  
 Renovate ceilings in all sleeping rooms.  
 Remove popcorn texture  
 Tape and mud all joints  
 Prime, texture and paint ceiling and all wall surfaces touched by new ceiling surface  
 At shower locations: remove existing walls to size of new shower enclosure. Install 1/2" cementitious board at all 3 sides. Apply RedGuard water-proofing to cementitious board. Install new solid surface enclosure walls and seal all seams.  
 Provide access panel above

Product Identifier Tags:

■	Owner Purchased, Contractor Installed
⊗	Owner Purchased, Owner Installed
⊕	Product Cut Sheet Provided in Specification Booklet
S	Refer to Specification Section
V	By Owner contracted Vendor, coordinate schedule

Construction
Renovation: Interior Elevations & Unit Plans
Date: 01-26-19 1811C-01-26-19

**REN1**