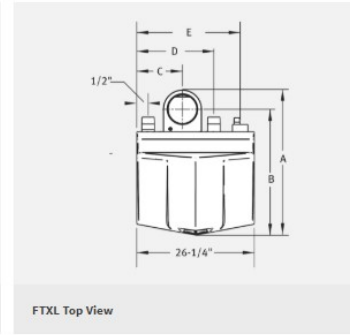
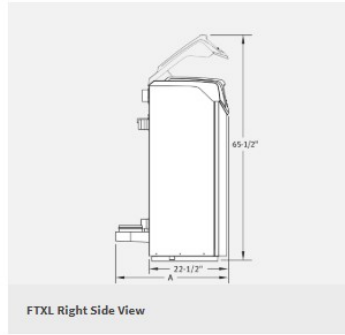


SPECIFICATIONS & DIMENSIONS



Model Number	Input MBH Min	Input MBH Max	Thermal Efficiency	Output MBH	Net AHRI Rating MBH	Turndown	Flow (GPM) Min	Flow (GPM) Max	HEX Water Volume (GAL)	A	B	C	D	E	F	G	H	Water Conn.	Vent Size	Air Inlet	Gas Conn.	Ship. Wt.
FTX400(N,L)	40	399.9	98.00%	392	341	10:1	10	105	13	30-1/2"	27-1/2"	10-1/4"	17"	23-1/4"	48-1/4"	39-1/2"	10-3/4"	2"	4"	4"	1"	478
FTX500(N,L)	50	500	97.70%	489	425	10:1	15	105	12	30-1/2"	27-1/2"	10-1/4"	17"	23-1/4"	48-1/4"	39-1/2"	10-3/4"	2"	4"	4"	1"	504
FTX600(N,L)	85	600	97.50%	585	509	7:1	15	105	12	30-1/2"	27-1/4"	10-1/4"	17"	23-1/4"	48-1/4"	39-1/2"	10-3/4"	2"	4"	4"	1"	504
FTX725(N,L)	103.5	725	97.20%	705	613	7:1	20	150	17	33"	28-1/2"	10-1/2"	17-1/2"	23-1/2"	48-1/2"	41-1/4"	11"	2-1/2"	6"	4"	1"	575
FTX850(N,L)	121.5	850	97.00%	825	717	7:1	25	150	18	33"	28-1/2"	10-1/2"	17-1/2"	23-1/2"	48-1/2"	41-1/4"	11"	2-1/2"	6"	4"	1"	604



FTXL Boiler Product Summary

399,999-850,000 BTU/HR

	FTX400	FTX500	FTX600	FTX725	FTX850
WATER					
GALLON CAPACITY	13	12	12	17	16
HEATING SURFACE (SQ. FT.)	55.31	73.02	73.02	84.60	99.88
INLET WATER CONNECTION	2" NPT Thread	2" NPT Thread	2" NPT Thread	2.5" NPT Thread	2.5" NPT Thread
OUTLET WATER CONNECTION	2" NPT Thread	2" NPT Thread	2" NPT Thread	2.5" NPT Thread	2.5" NPT Thread
DRAIN	1" NPT	1" NPT	1" NPT	1" NPT	1" NPT
MAXIMUM FLOW RATE	105	105	105	150	150
MINIMUM FLOW RATE	10	15	15	20	25
20°F ΔT WATER FLOW (GPM)	39	49	59	71	83
HEAD LOSS (FT. OF HD.)	3.5	4.8	4.4	4.9	5.7
40°F ΔT WATER FLOW (GPM)	20	24	29	35	41
HEAD LOSS (FT. OF HD.)	2.5	2.9	2.8	3.0	3.3
MAX. WORKING PRESSURE (PSI)	160	160	160	160	160
# OF RELIEF VALVES	1	1	1	1	1
RELIEF VALVE SIZE	3/4"	3/4"	3/4"	3/4"	3/4"
RELIEF VALVE RATING (MBH)	697	697	697	1,352	1,352
RELIEF VALVE PRESSURE RATING (PSI)	50	50	50	50	50
GAS					
BTU/HR INPUT	399,999	500,000	600,000	725,000	850,000
BTU/HR OUTPUT (HIGH FIRE)	392,000	489,000	585,000	705,000	824,500
BTU/HR OUTPUT (LOW FIRE)	39,200	48,900	83,571	100,714	117,786
BOILER HORSE POWER (INPUT)	11.9	14.9	17.9	21.7	23.9
INLET CONNECTION	1"	1"	1"	1"	1"
MAX. INLET PRESSURE, NAT (w.c.)	14"	14"	14"	14"	14"
MIN. INLET PRESSURE, NAT (w.c.)	4"	5"	4"	4"	4"
MAX. INLET PRESSURE, LP (w.c.)	14"	14"	14"	14"	14"
MIN. INLET PRESSURE, LP (w.c.)	8"	8"	8"	8"	8"
ELECTRICAL *					
VOLTAGE/HEATER (VAC)	120	120	120	120	120
VOLTAGE/CONTROL (VAC)	24	24	24	24	24
AMP DRAW	<12	<12	<12	<12	<12
# OF ELECTRICAL CONNECTIONS	1	1	1	1	1
DIMENSIONS					
HEIGHT	53- 5/8"	53-5/8"	53- 5/8"	53-5/8"	53- 5/8"
WIDTH	26-1/8"	26-1/8"	26-1/8"	26-1/8"	26-1/8"
DEPTH	22-5/8"	22-5/8"	22-5/8"	22-5/8"	22-5/8"
SHIPPING WEIGHT (lbs.)	478	504	504	575	604
OPERATING WEIGHT (lbs.)	542	560	560	672	693
SERVICE CLEARANCES (RECOMMENDED)					
FRONT	30"	30"	30"	30"	30"
REAR	24"	24"	24"	24"	24"
RIGHT SIDE	0"	0"	0"	0"	0"
LEFT SIDE	0"	0"	0"	0"	0"
TOP	24"	24"	24"	24"	24"
DIRECT VENTING					
VENT SIZE	4"	4"	4"	6"	6"
AIR INLET SIZE	4"	4"	4"	4"	4"
VENT CATEGORY	IV	IV	IV	IV	IV
VENT MATERIAL	PVC/CPVC/PP/AL29-4C	PVC/CPVC/PP/AL29-4C	PVC/CPVC/PP/AL29-4C	PVC/CPVC/PP/AL29-4C	PVC/CPVC/PP/AL29-4C

Lochinvar LLC • 300 Maddox Simpson Pkwy • Lebanon, TN 37090 • 615-889-8900 / Fax: 615-547-1000

www.Lochinvar.com

FTX-PS-02

5/17-Printed in U.S.A.

